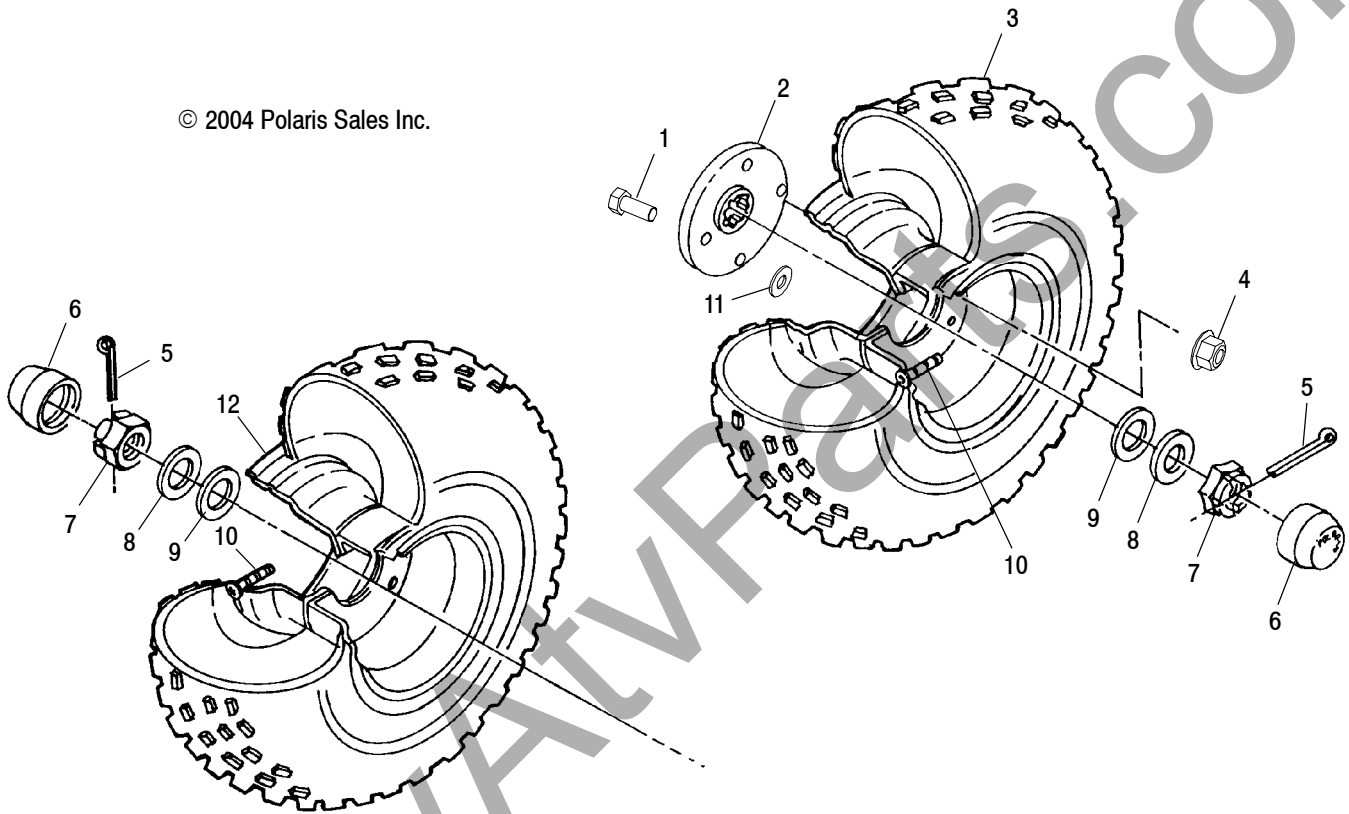


*** MILITARY USE ONLY ***
REAR and MIDDLE WHEEL
SPORTSMAN 6X6 MV A05CL50MA

© 2004 Polaris Sales Inc.



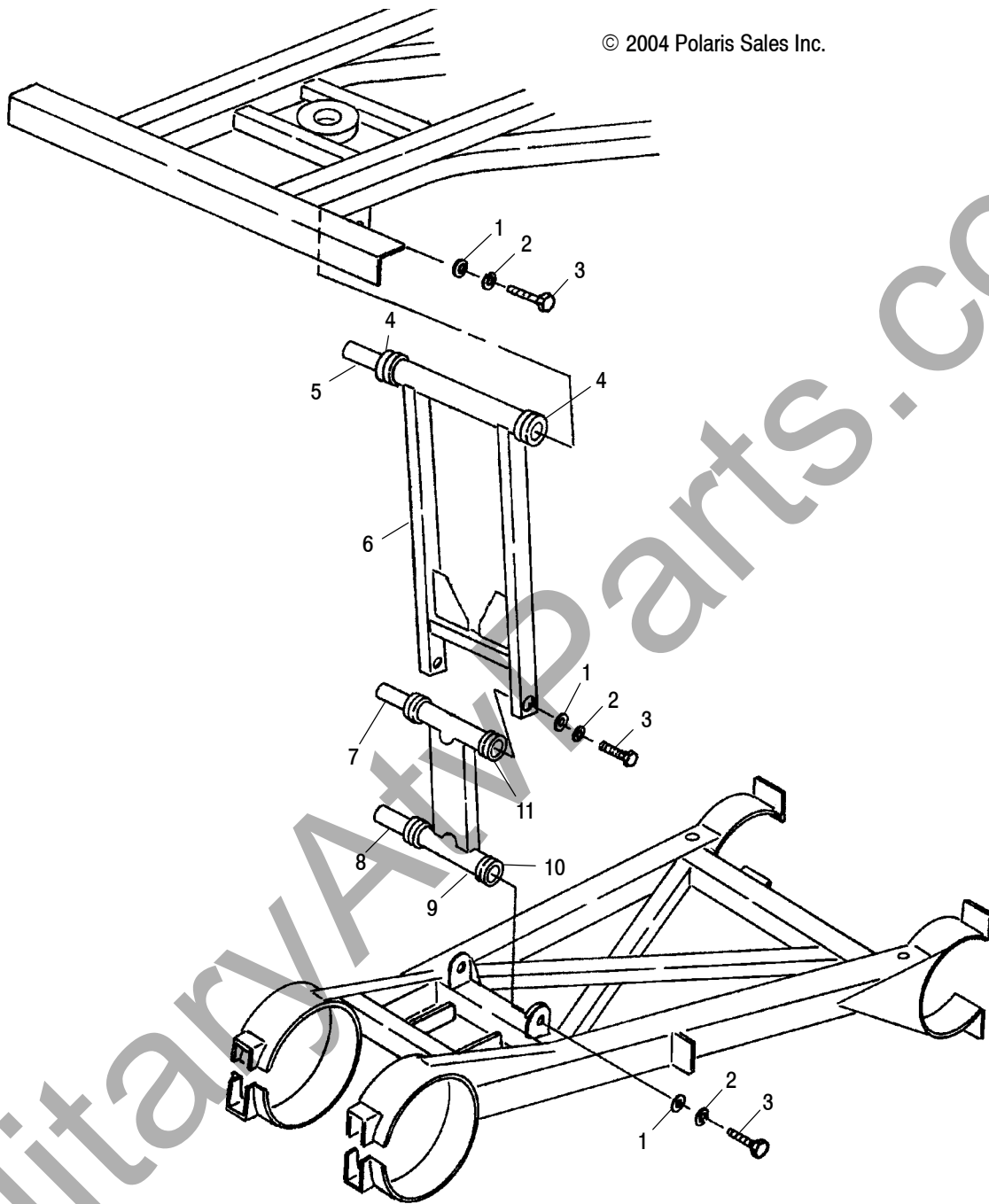
Part numbers may change after the making of the microfiche or paper copies. Electronic records are the most current.

Ref.	Part No.	Qty.	Description
1	7512673	16	Bolt
2	5131777	4	Hub, Wheel
3	2872463	4	Tire, 25x11-10
4	7542714	16	Nut
5	7661404	2	Pin, Cotter
6	5411164	4	Dust Cover, Hub

Ref.	Part No.	Qty.	Description
7	7543005	4	Nut, Castle
8	7555745	4	Washer
9	7555796	4	Washer, Cone
10	1525017	4	Valve, Rim
11	7670081	16	Nut, Push
12	1520183-463	4	Rim, Rear, Flat Black

*** MILITARY USE ONLY ***
REAR STRUT STABILIZER
SPORTSMAN 6X6 MV A05CL50MA

© 2004 Polaris Sales Inc.

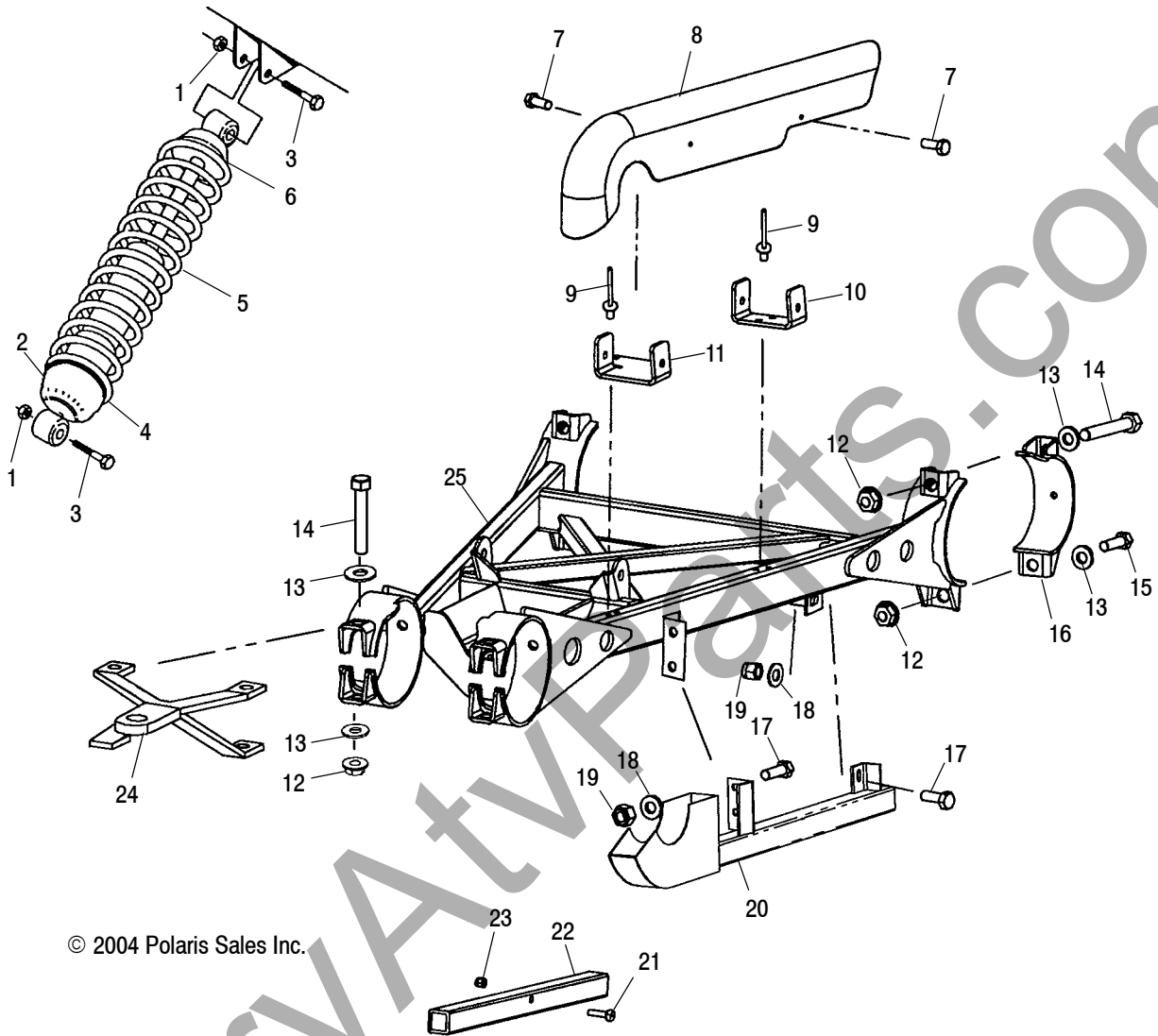


Part numbers may change after the making of the microfiche or paper copies. Electronic records are the most current.

Ref.	Part No.	Qty.	Description
1	7555832	6	Washer
2	7552603	6	Washer, Spring Lock
3	7512492	6	Screw
4	5434551	2	Bushing, A-Arm, Long, Black
5	5020764	1	Shaft, Upper
6	1541853-067	1	Stabilizer, Upper, Black

Ref.	Part No.	Qty.	Description
7	5020765	1	Shaft, Stabilizer
8	5020766	1	Shaft, Stabilizer, Lower
9	1541852-067	1	Stabilizer, Lower, Black
10	5434548	2	Bushing, A-Arm, Short, Black
11	5434553	2	Bushing, Stabilizer, Long, Black

*** MILITARY USE ONLY ***
SWING ARM WELDMENT (REAR)
SPORTSMAN 6X6 MV A05CL50MA



© 2004 Polaris Sales Inc.

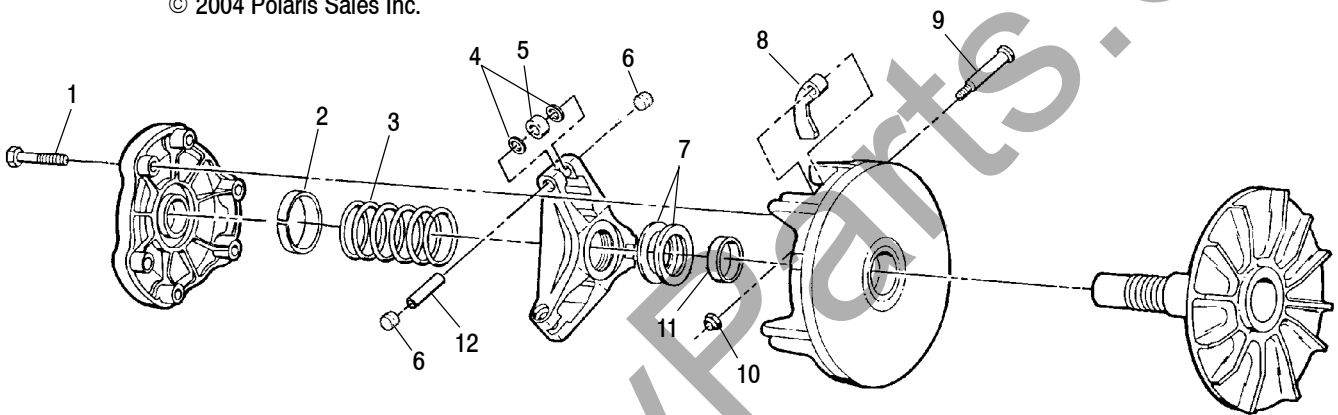
Part numbers may change after the making of the microfiche or paper copies. Electronic records are the most current.

Ref.	Part No.	Qty.	Description
1	7542439	2	Nut, Nylok
2	7041963	1	Shock, Rear
3	7515415	2	Screw
4	7556142	1	Washer
5	7041880-067	1	Spring, Compression, Black
6	5241147	1	Retainer, Short
7	7517386	4	Screw
8	5433539	1	Cover, Chain
9	7661637	4	Rivet
10	5244077-067	1	Mount, Chain Cover, Front, Black
11	5244078-067	1	Mount, Chain Cover, Rear, Black
12	7542522	6	Nut, Flange
13	7555883	8	Washer

Ref.	Part No.	Qty.	Description
14	7512576	4	Bolt
15	7512520	2	Bolt
16	1580067-067	2	Bracket, Swing Arm
17	7515321	3	Bolt
18	7558402	6	Washer, Flat
19	7542324	3	Nut, Nylok
20	1013327-067	1	Guard, Chain, Lower, Black
21	7515117	1	Screw
22	5521279	1	Guide, Chain, Rear
23	7541925	1	Nut, Nylok
24	2200472	1	Kit, Hitch (Incl. 12-14)
25	1541344-067	1	Extension, Swing Arm, Black

*** MILITARY USE ONLY ***
DRIVE CLUTCH
SPORTSMAN 6X6 MV A05CL50MA

© 2004 Polaris Sales Inc.



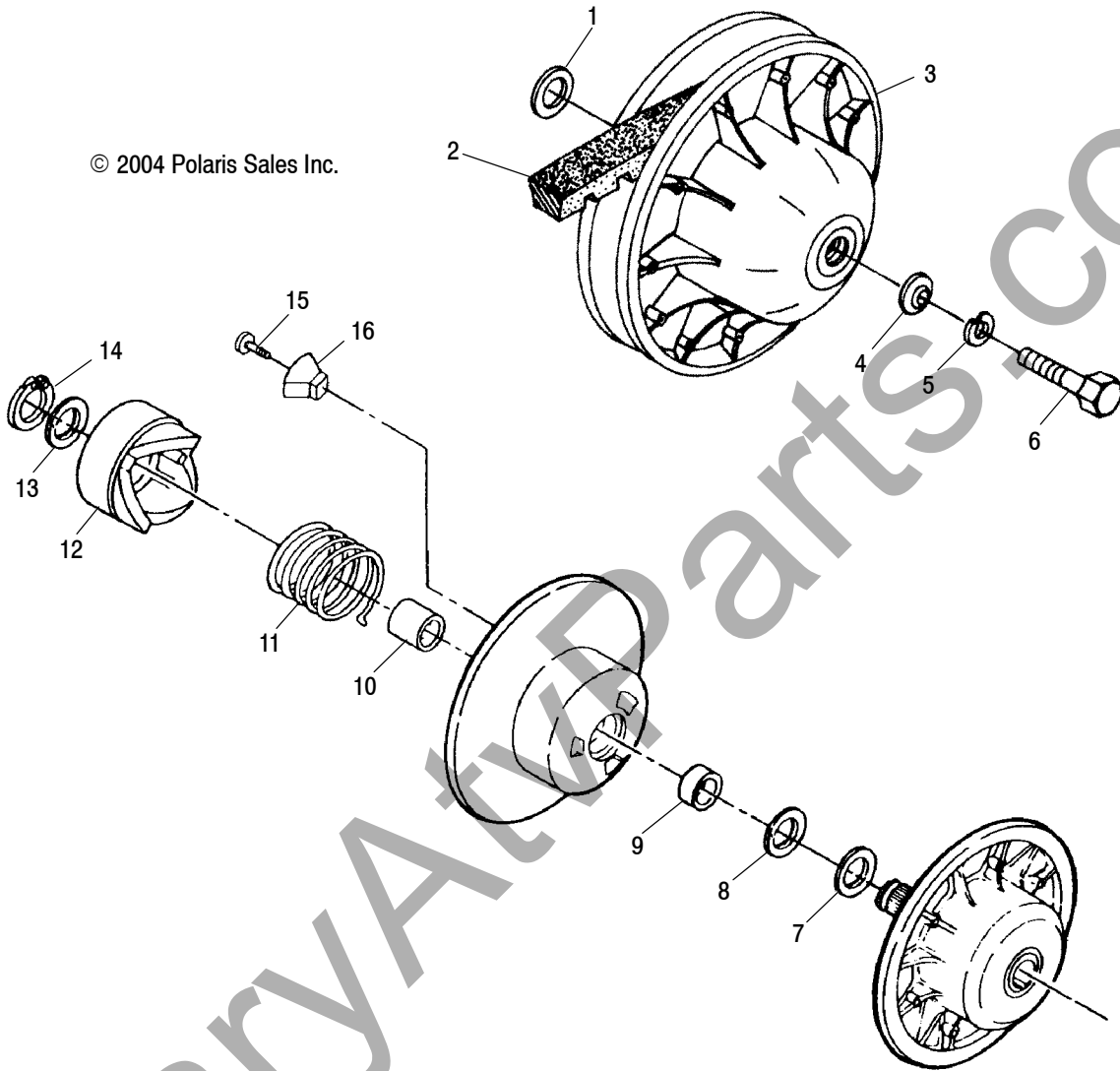
Part numbers may change after the making of the microfiche or paper copies. Electronic records are the most current.

Ref.	Part No.	Qty.	Description
	1321976	1	Asm., Drive Clutch (Incl. 1-2,6-10)
1	7518062	6	Screw
2	3576510	1	Bearing, Cover
3	7041157	1	Spring, Clutch
4	5430945	6	Washer
5	1321457	3	Asm., Roller and Bushing
6	5431936	6	Button, Clutch

Ref.	Part No.	Qty.	Description
7	5210752	AR	Spacer, .020
	5242981	AR	Spacer, .025
	5210753	AR	Spacer, .032
	5210754	AR	Spacer, .050
8	5630513	3	Weight, Shift, 10-MH
9	7512266	3	Bolt, Shoulder
10	7541906	3	Nut, FLEXLOC
11	3576504	1	Bushing, Moveable
12	5020422	3	Pin, Roller

*** MILITARY USE ONLY ***
DRIVEN CLUTCH
SPORTSMAN 6X6 MV A05CL50MA

© 2004 Polaris Sales Inc.



Part numbers may change after the making of the microfiche or paper copies. Electronic records are the most current.

Ref.	Part No.	Qty.	Description
1	7556120	AR	Bushing (3 Max)
2	3211077	1	Belt, Drive
3	1322180	1	Asm., Driven Clutch (Incl. 7-16)
4	5220646	1	Washer, Dome
5	7552901	1	Washer, Spring Lock
6	7515382	1	Bolt
7	7555898	AR	Washer, .020
	7556076	AR	Washer, .025
8	7556804	AR	Washer, .030

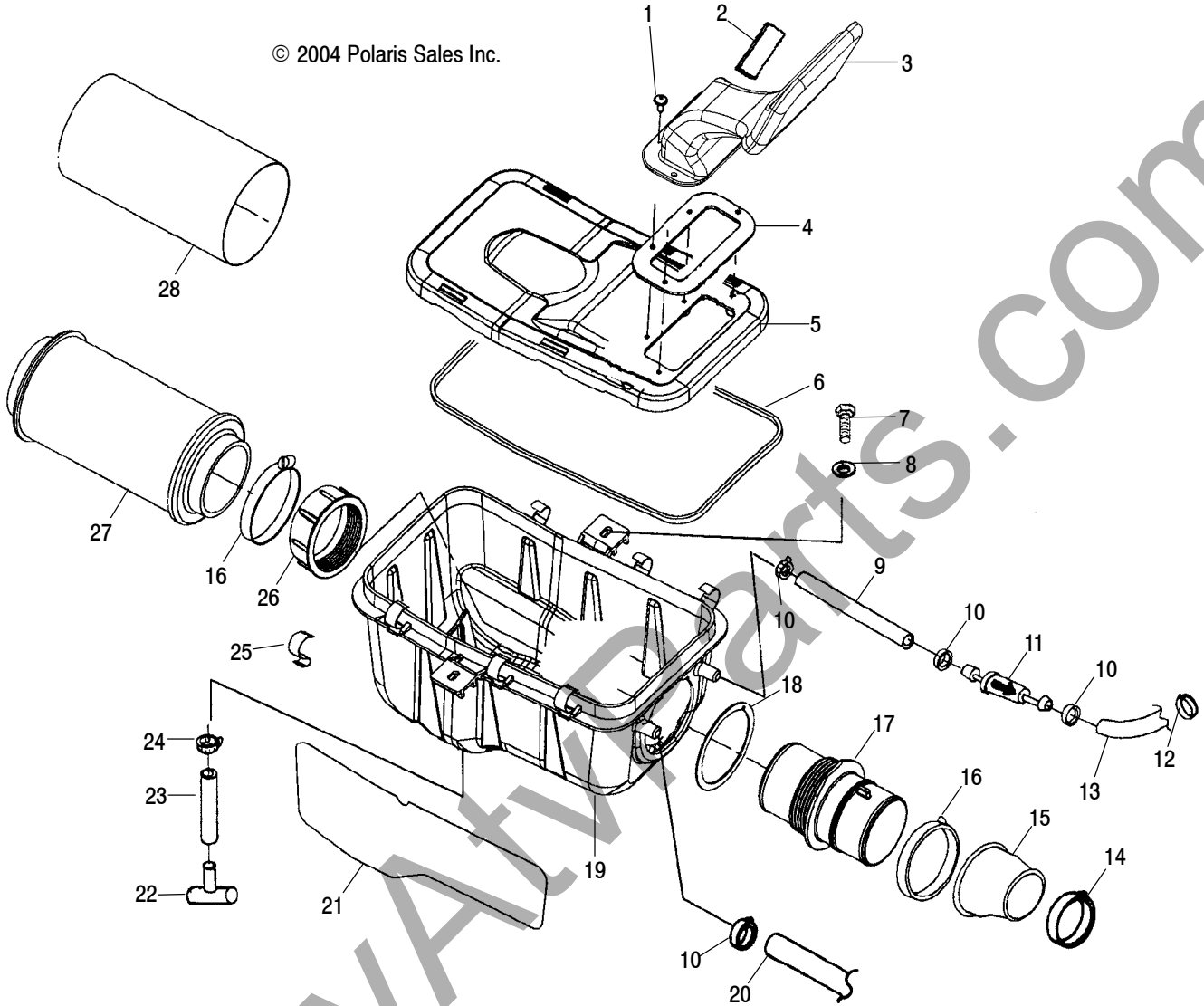
Ref.	Part No.	Qty.	Description
9	3576504	1	Bushing, Moveable
10	3576511	1	Bushing, Moveable, 1 Inch
11	7041198	1	Spring, Clutch, Red
12	5131446	1	Ramp, Stationary
13	5210752	1	Spacer, 020
14	7710448	1	Ring, Retaining
15	7511854	3	Bolt
16	5430766	3	Button, Ramp

*** MILITARY USE ONLY ***

AIR BOX

SPORTSMAN 6X6 MV A05CL50MA

© 2004 Polaris Sales Inc.



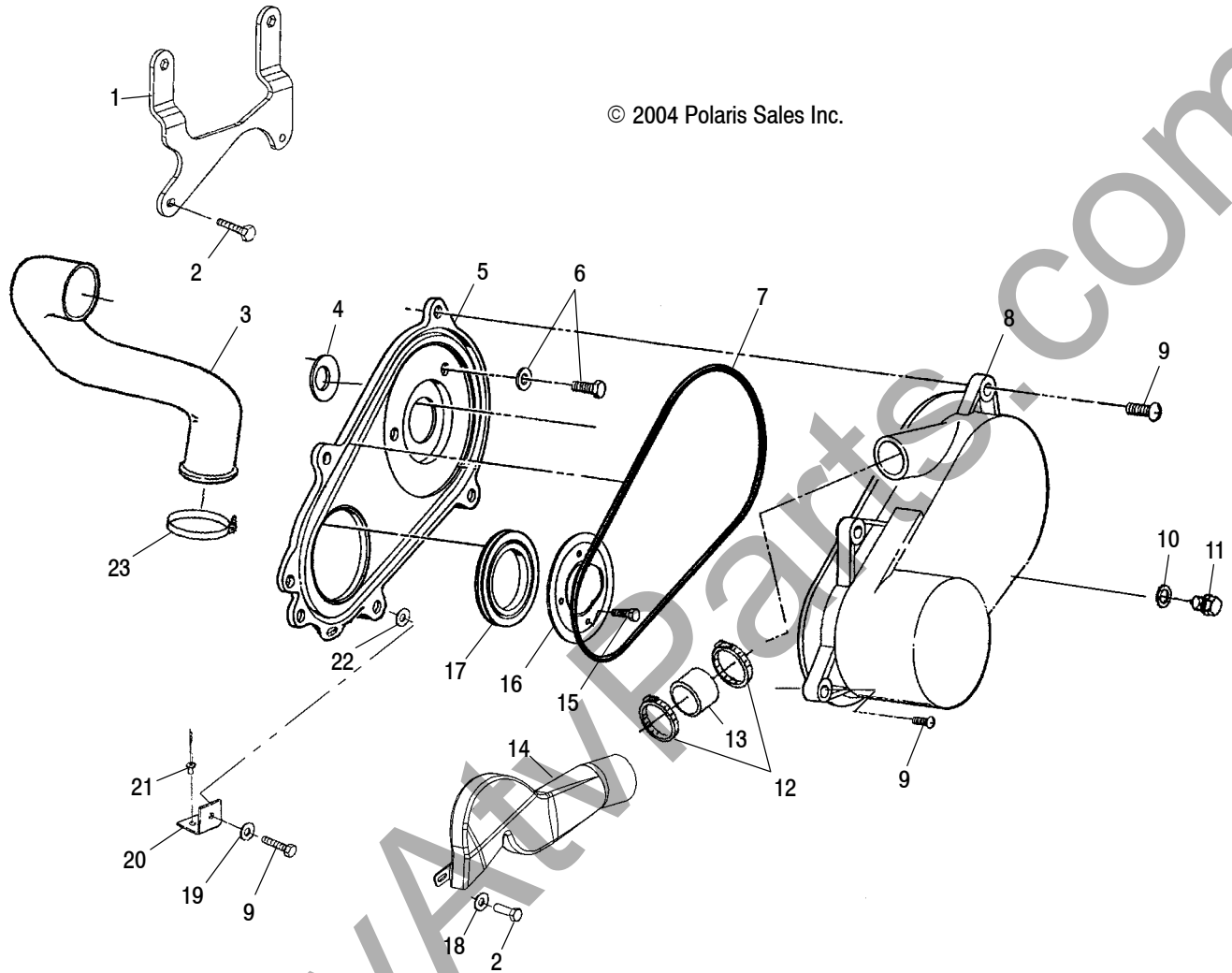
Part numbers may change after the making of the microfiche or paper copies. Electronic records are the most current.

Ref.	Part No.	Qty.	Description
1	7517317	4	Screw
2	5810455	1	Pad, Rack Mount
3	5433395	1	Duct, Inlet
4	5411422	1	Gasket, Intake
5	5432868	1	Cover, Air Box
6	5811482	1	Seal, Cover
7	7515179	2	Screw
8	7558301	2	Washer, Flat
9	8450073-600	AR	Line, Breather
10	7080699	4	Clamp, Hose
11	2530029	1	Filter, Breather
12	7080694	1	Clamp, Hose, Spring
13	5411921	1	Hose, Breather
14	7080511	1	Clamp, Band
15	5411540	1	Boot, Carburetor

Ref.	Part No.	Qty.	Description
16	7080413	2	Clamp, Band
17	5432473	1	Duct, Carburetor, Inlet
18	5830128	1	Gasket, Carburetor Inlet Duct
19	5433387	1	Box, Air
20	-----	1	Line, Breather, Oil Tank (See Oil Tank Pg. A14, Ref. 3)
21	5811650	1	Foil
22	5432377	1	Plug, Trap
23	8450059-150	AR	Line, Fuel
24	7080650	1	Clamp, Hose
25	5242044	6	Clip
26	5432601	1	Collar, Inlet, Carburetor
27	7080595	1	Filter, Air
28	5811633	1	Filter, Sleeve, Precleaner

*** MILITARY USE ONLY ***
CLUTCH COVER
SPORTSMAN 6X6 MV A05CL50MA

© 2004 Polaris Sales Inc.



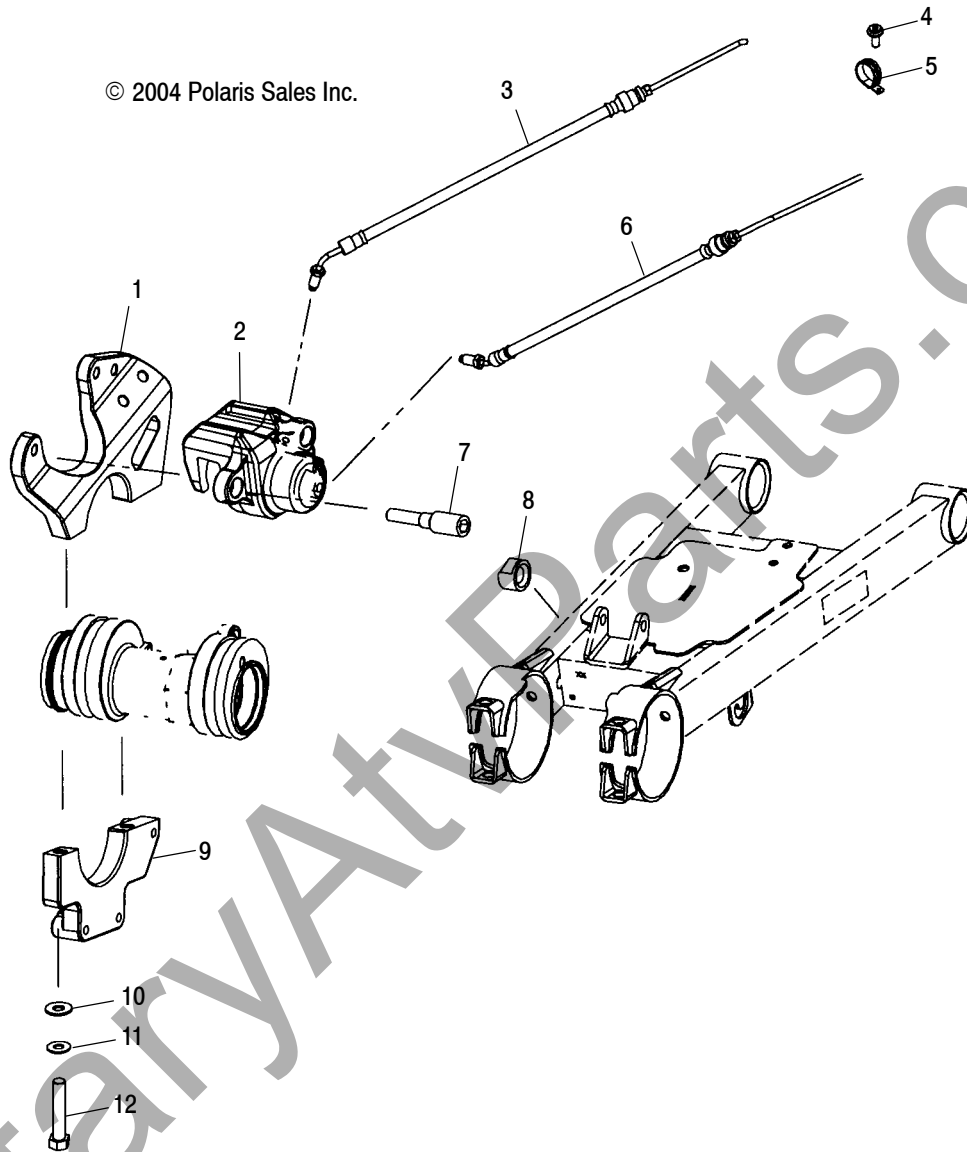
Part numbers may change after the making of the microfiche or paper copies. Electronic records are the most current.

Ref.	Part No.	Qty.	Description
1	5247524-067	1	Bracket, Clutch Cover
2	7512232	3	Bolt
3	5433427	1	Duct, Clutch Air, Inlet
4	5411553	1	Seal, Cover
5	2201957	1	Kit - Inner Clutch Cover (Incl. 9)
6	7510000	3	Asm., Bolt and Washer
7	5521578	1	Seal, Clutch Cover, Outer
8	5434255-070	1	Cover, Clutch, Outer, Black
9	7512094	10	Screw
10	5410542	1	O-Ring
11	5434264	1	Plug, Drain
12	7080707	2	Clamp, Narrow Band

Ref.	Part No.	Qty.	Description
13	5411489	1	Boot, Duct
14	5433657	1	Duct, Air Outlet, Clutch
15	-----	3	Asm., Screw and Washer (See Crankcase Pg. D5, Ref. 6)
16	5242046	1	Bracket, Clutch, Seal
17	5410575	1	Seal, Cover, Case
18	7558301	1	Washer, Flat
19	7555935	1	Washer
20	5247949	1	Bracket, Clutch Cover, Front
21	7661637	2	Rivet
22	7556091	1	Spacer
23	7080511	1	Clamp, Narrow Band

*** MILITARY USE ONLY ***
REAR CALIPER MOUNTING
SPORTSMAN 6X6 MV A05CL50MA

© 2004 Polaris Sales Inc.

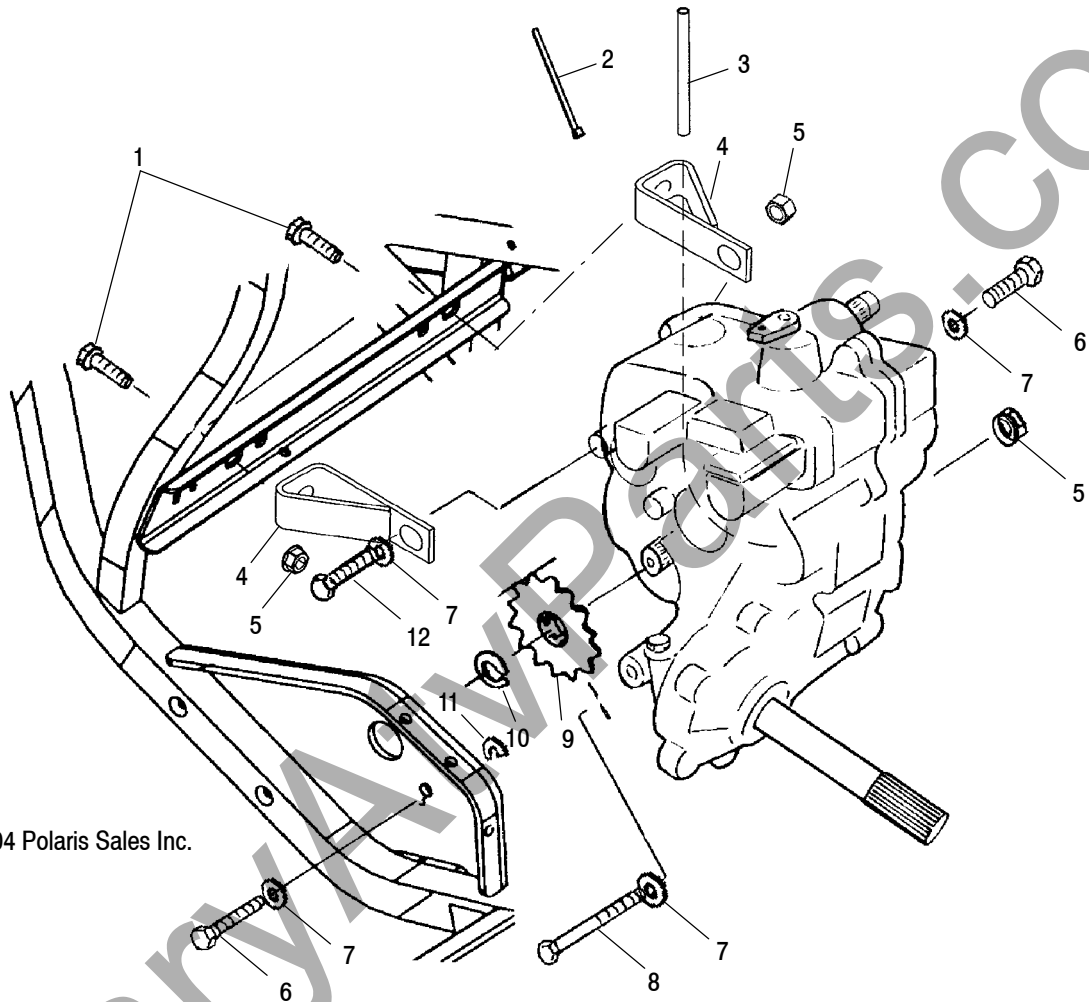


Part numbers may change after the making of the microfiche or paper copies. Electronic records are the most current.

Ref.	Part No.	Qty.	Description
1	5132220	1	Mount, Caliper, Upper
2	1910408	1	Asm., Caliper, Rear
3	1910480	1	Line, Brake, JB to Rear
4	7512084	1	Screw
5	7080573	1	Clamp, Rubber Coated
6	1910481	1	Line, Brake, RH

Ref.	Part No.	Qty.	Description
7	7517758	2	Bolt, Shoulder
8	5131759	1	Bushing, Caliper Mount
9	5131786	1	Mount, Caliper, Lower
10	7558402	2	Washer, Flat
11	7552901	2	Washer, Spring Lock
12	7512312	2	Bolt

*** MILITARY USE ONLY ***
GEARCASE MOUNTING
SPORTSMAN 6X6 MV A05CL50MA



© 2004 Polaris Sales Inc.

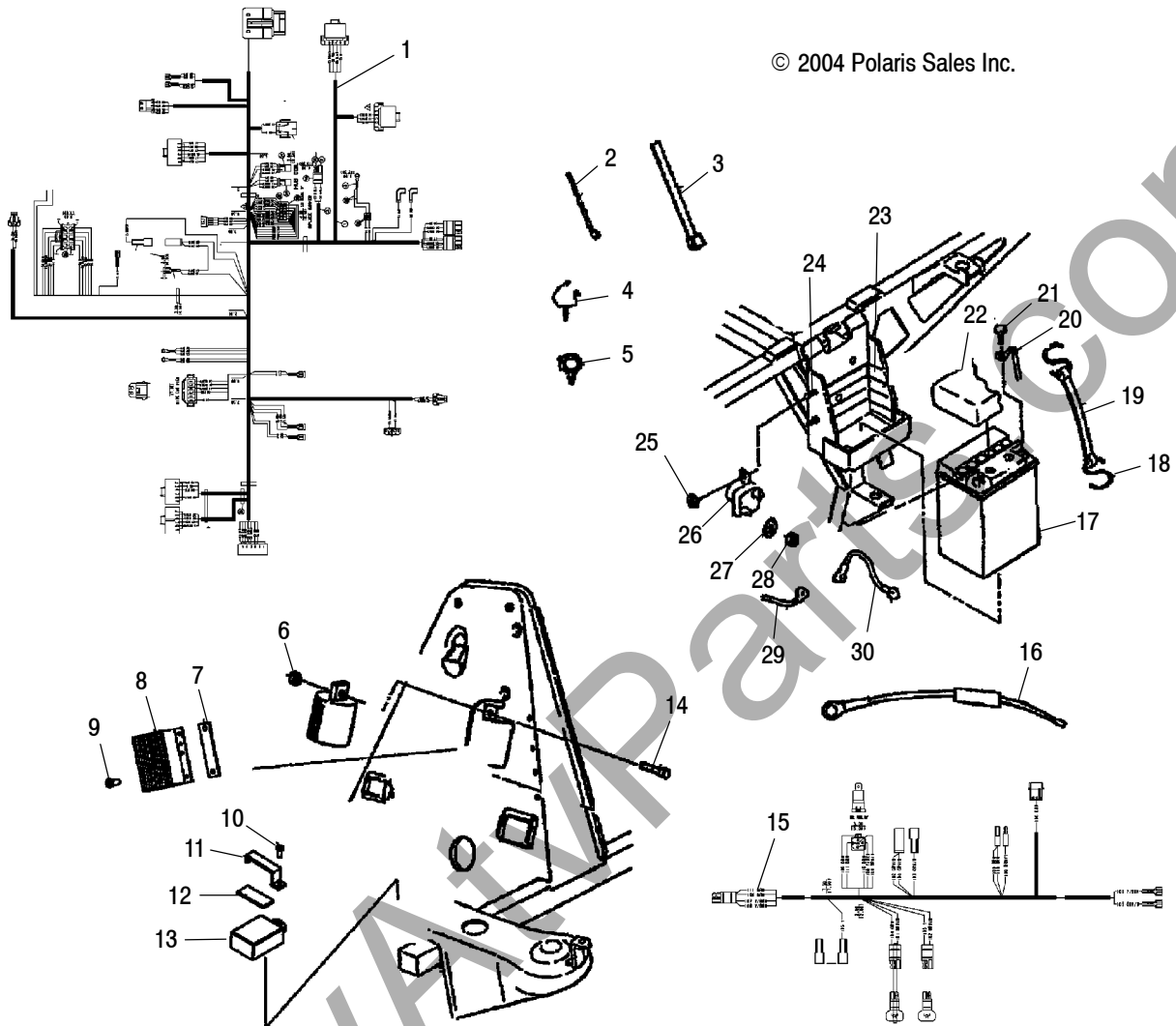
Part numbers may change after the making of the microfiche or paper copies. Electronic records are the most current.

Ref.	Part No.	Qty.	Description
1	7517632	2	Screw
2	7080138	1	Cable Tie
3	8360009-600	AR	Line, Vent
4	1014772	2	Mount, Transmission, Rear
5	7547089	4	Nut, Flange Lock
6	7512492	2	Screw
7	7555806	4	Washer, Flat

Ref.	Part No.	Qty.	Description
8	7517646	1	Screw
9	3221044	1	Sprocket, 12T
10	7710434	1	Ring, Snap
11	5211065	AR	Shim, .010
	5210764	AR	Shim, .020
	5211517	AR	Shim, .030
12	7517640	1	Screw

*** MILITARY USE ONLY ***
ELECTRICAL
SPORTSMAN 6X6 MV A05CL50MA

© 2004 Polaris Sales Inc.



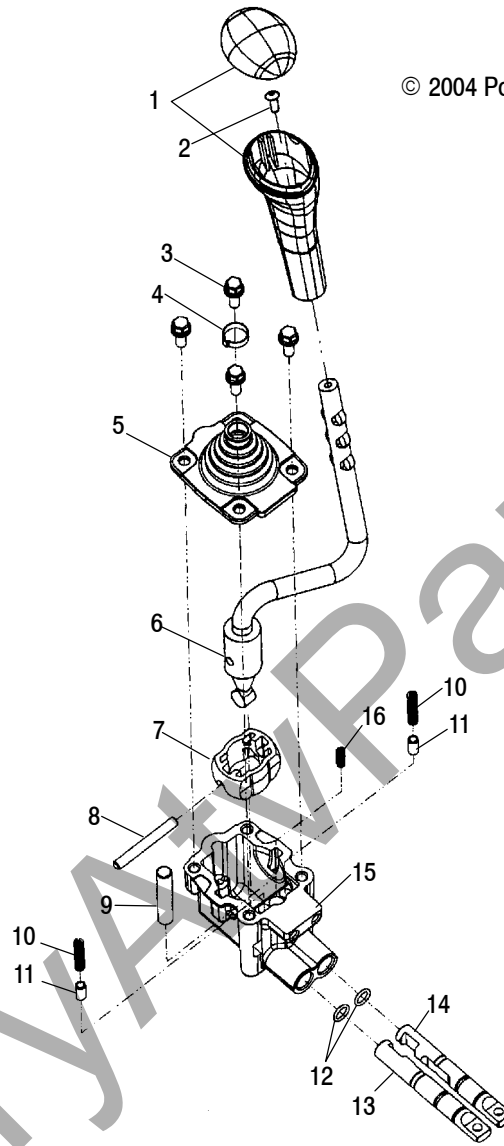
Part numbers may change after the making of the microfiche or paper copies. Electronic records are the most current.

Ref.	Part No.	Qty.	Description
1	2410576	1	Harness, Main
2	7080138	4	Cable Tie
3	7080492	1	Cable Tie
4	7670109	4	Clip, Routing
5	4020139	4	Clip, Rosebud
6	7541925	1	Nut, Nylok
7	5247782	1	Heat Sink
8	4011110	1	Module, Controller
9	7512018	2	Screw
10	7512024	1	Screw
11	5246747	1	Bracket, CDI
12	5810317	1	Pad
13	-----	1	CDI System (See Magneto Pg. E2, Ref. 16)
14	7512007	1	Bolt
15	2410573	1	Harness, IR/Blk Out

Ref.	Part No.	Qty.	Description
16	2202147	1	Kit, Fusible Link
17	4011138	1	Battery
18	7010032	2	Hook, Battery Strap
19	5412499	1	Strap, Holddown, Battery
20	4010095	1	Cable, Battery/Engine
21	2202848	1	Kit, Battery Bolt
22	5431769	1	Cover, Battery
23	5810290	3	Pad, Battery
24	7512027	2	Screw
25	7518287	2	Nut, Nylok
26	4011072	1	Switch, Magnetic
27	7552801	2	Washer, Spring Lock
28	7547283	2	Nut, Jam
29	4010093	1	Cable, Solenoid/Starter
30	4010094	1	Cable, Battery/Solenoid

*** MILITARY USE ONLY ***
GEAR SELECTOR
SPORTSMAN 6X6 MV A05CL50MA

© 2004 Polaris Sales Inc.



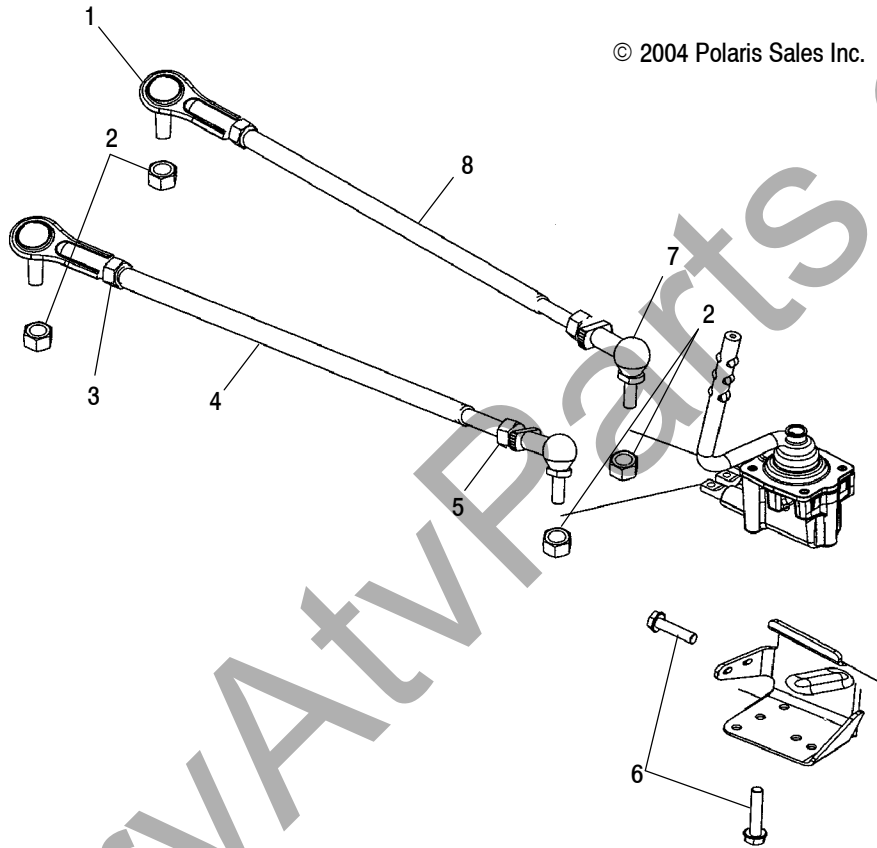
Part numbers may change after the making of the microfiche or paper copies. Electronic records are the most current.

Ref.	Part No.	Qty.	Description
	1341271	1	Asm., Gear Selector (Incl. All)
1	3233195	1	Asm., Knob
2	7512024	1	Screw
3	3233649	4	Screw
4	3233131	1	Strap, Wire
5	3233648	1	Cover, Gear Selector Boot
6	3233658	1	Handle, Gear Selector
7	3233646	1	Sphere, Plastic
8	3233754	1	Pin, Dowel

Ref.	Part No.	Qty.	Description
9	3233644	1	Pin, Dowel
10	3233642	2	Spring, Detent
11	3233060	2	Bullet, Detent
12	3233076	2	O-Ring
13	3233639	1	Slide, Low
14	3233640	1	Slide, High/Reverse
15	3233641	1	Body, Gear Selector
16	3233643	1	Spring, Centering

*** MILITARY USE ONLY ***
GEARCASE SELECTOR MOUNTING
SPORTSMAN 6X6 MV A05CL50MA

© 2004 Polaris Sales Inc.



Part numbers may change after the making of the microfiche or paper copies. Electronic records are the most current.

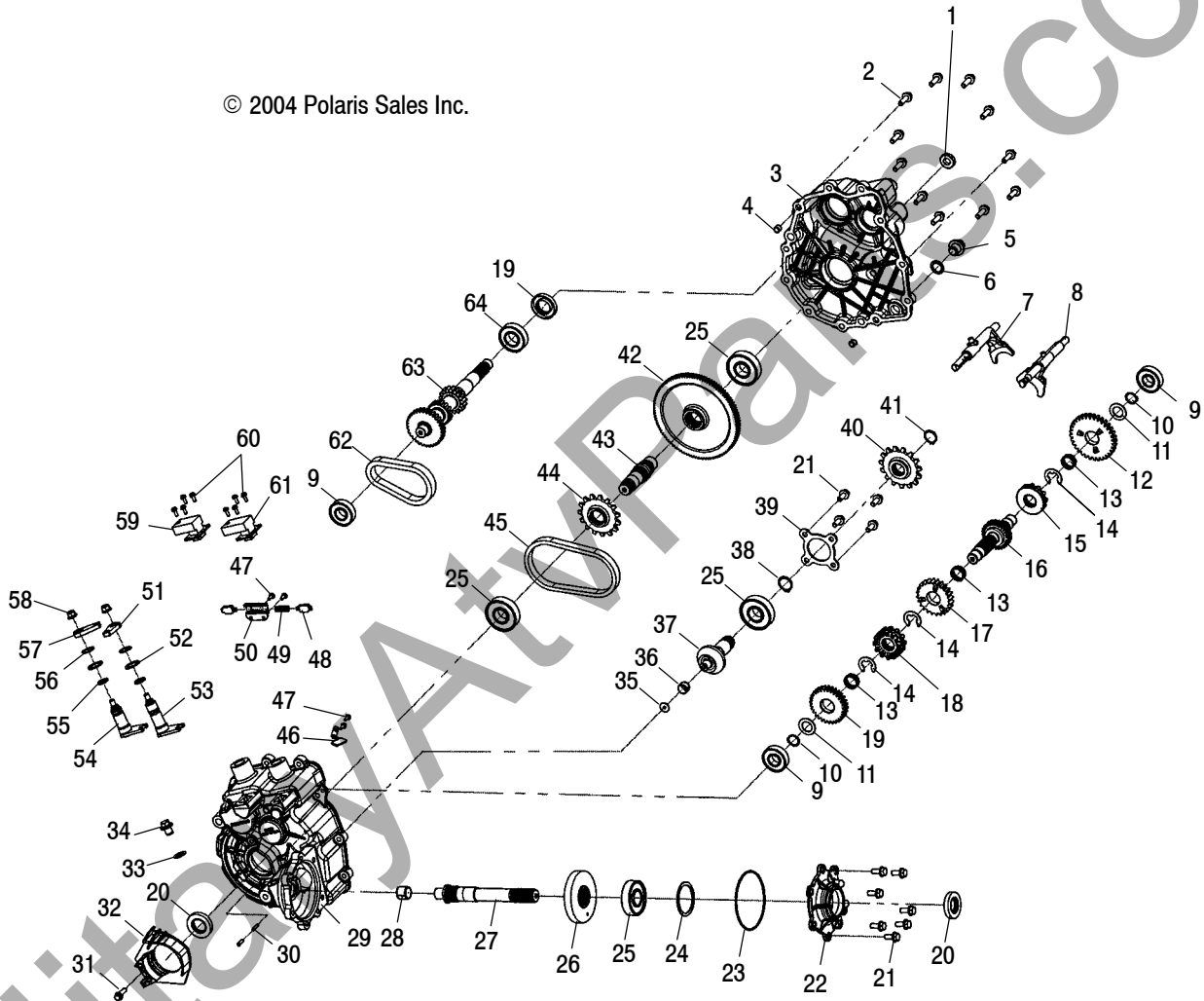
Ref.	Part No.	Qty.	Description
1	7061128	2	Rod End, LH
2	7546707	4	Nut
3	7547198	2	Nut, Jam, LH
4	1821430	1	Asm., Linkage

Ref.	Part No.	Qty.	Description
5	7547083	2	Nut, Jam, RH
6	7517386	5	Screw
7	7061129	2	Rod End, RH
8	1821428	1	Asm., Linkage, Short

5/04

*** MILITARY USE ONLY ***
GEARCASE
SPORTSMAN 6X6 MV A05CL50MA

© 2004 Polaris Sales Inc.



GEARCASE
SPORTSMAN 6X6 MV A05CL50MA

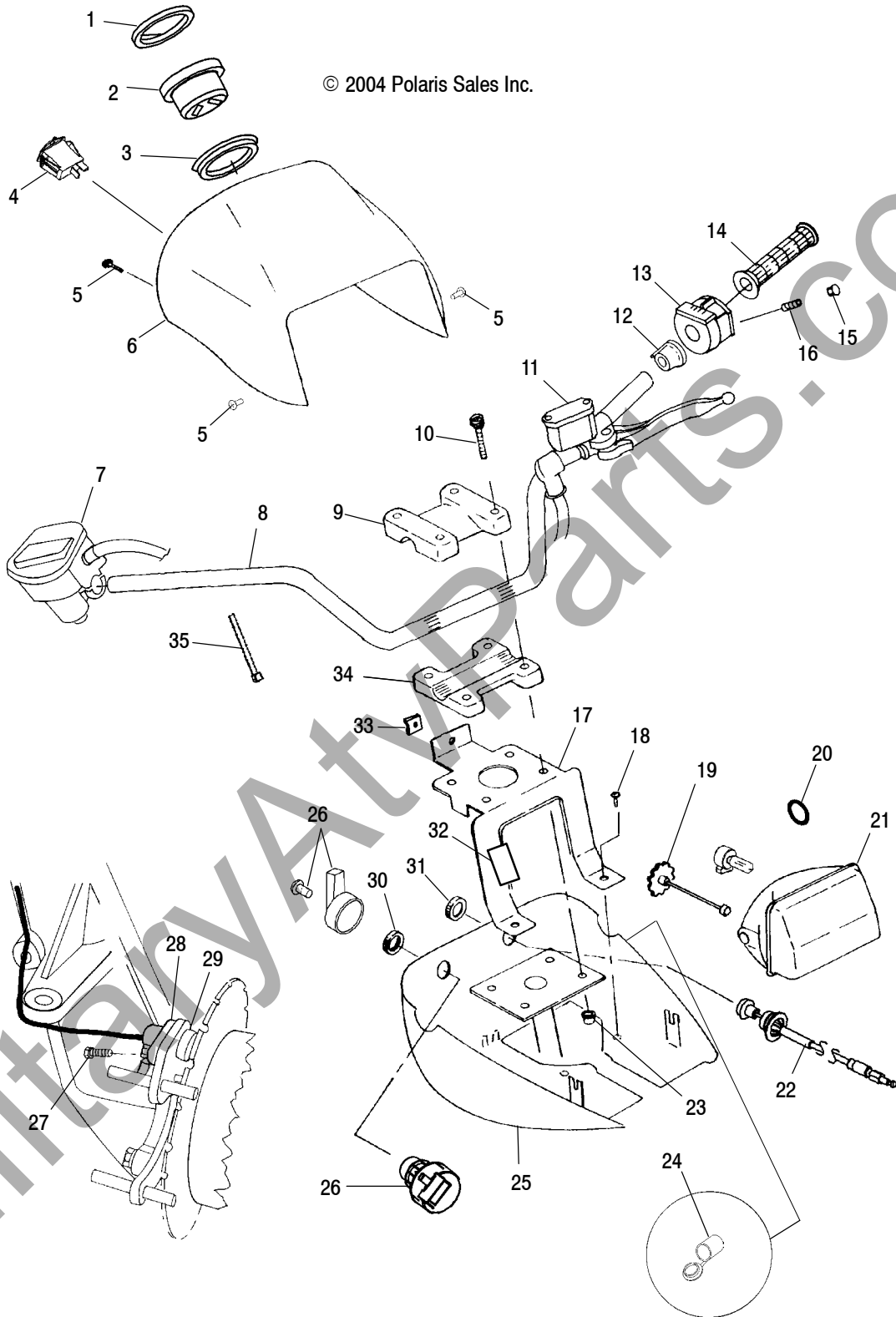
Part numbers may change after the making of the microfiche or paper copies. Electronic records are the most current.

Ref.	Part No.	Qty.	Description
	1341428	1	Asm., Gearcase (Incl. All)
1	3233527	1	Bushing, Pivot
2	3233252	11	Screw
3	3233632	1	Gearcase, LH
4	3233529	2	Pipe, Knock
5	3233448	1	Plug
6	3233035	1	Washer
7	3233706	1	Fork, Shift, Low
8	3233633	1	Fork, Shift, H/R
9	3233018	3	Bearing
10	3233177	2	Ring, Retaining
11	3233176	2	Washer
12	3233731	1	Gear, 33T
13	3233718	3	Bearing, Needle
14	3233720	3	Ring, Retaining
15	3233732	1	Dog, Engagement, Low
16	3233733	1	Shaft, Reverse, 29T
17	3233719	1	Sprocket, 24T
18	3233721	1	Dog, Engagement, H/R
19	3233722	1	Gear, 30T
20	3233788	3	Seal, Triple Lip
21	3233539	11	Screw
22	3233556	1	Cover, Snorkel
23	3233555	1	O-Ring
24	3233554	1	Shim
25	3233020	4	Bearing
26	3233898	1	Gear, 25T
27	3233899	1	Shaft, Snorkel
28	3233552	1	Bushing
29	3233895	1	Gearcase, HLR, RH
30	3233037	1	Vent
31	3233026	1	Screw
32	3233897	1	Guide, Chain

Ref.	Part No.	Qty.	Description
33	3233872	1	Washer, Nylon
34	3233711	1	Plug, Oil Fill
35	3233542	1	Washer, Thrust
36	3233541	1	Bushing
37	3233540	1	Shaft, Pinion
38	3233306	1	Ring, Retaining
39	3233263	1	Cover, Bearing
40	3233730	1	Sprocket, 15/22T
41	3233537	1	Ring, Retaining
42	3233360	1	Gear, 100T
43	3233544	1	Shaft, Output
44	3233729	1	Sprocket, 15/26T
45	3233546	1	Chain, Roller
46	3233043	1	Deflector, Oil
47	3233747	4	Screw, Tapping w/Lock Washer
48	3233308	2	Pin, Interlock
49	3233032	1	Spring
50	3233309	1	Bracket, Interlock
51	3233153	1	Bellcrank
52	3233040	2	Washer
53	3233737	1	Shaft, Shift, H/R
54	3233549	1	Shaft, Shift
55	3233548	2	O-Ring
56	3233045	2	Ring, Retaining
57	3233547	1	Bellcrank
58	3233961	2	Nut, Flange Lock
59	3234001	1	Switch, 2 Position
60	3233749	8	Screw
61	3234002	1	Switch, 3 Position
62	3233036	1	Chain, Silent
63	3233704	1	Shaft, Input
64	3233019	1	Bearing

*** MILITARY USE ONLY ***
HANDLEBAR and HEADLIGHT POD
SPORTSMAN 6X6 MV A05CL50MA

© 2004 Polaris Sales Inc.



*** MILITARY USE ONLY ***
HANDLEBAR and HEADLIGHT POD
SPORTSMAN 6X6 MV A05CL50MA

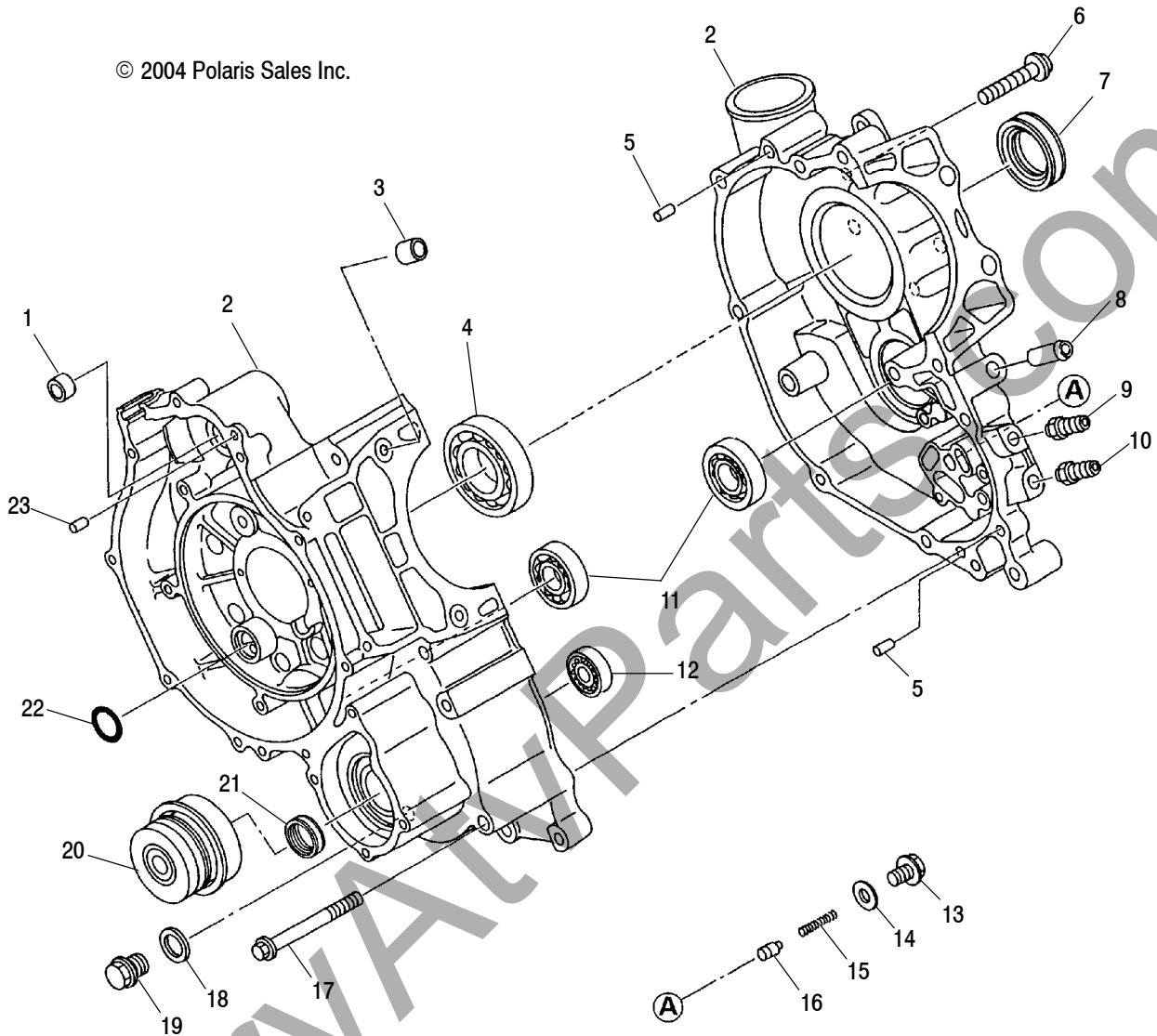
Part numbers may change after the making of the microfiche or paper copies. Electronic records are the most current.

Ref. Part No.	Qty.	Description	Ref. Part No.	Qty.	Description		
1	5434380	1	Bezel	18	7517317	2	Screw
2	3280431	1	Asm., Cluster, Instrument	19	4032079	1	Knob, Adjusting (w/Rod)
3	5412138	1	Mount, Rubber	20	5410163	2	O-Ring
4	4011074	1	Switch, Worklight	21	2410268	1	Asm., Head Lamp
5	7511881	3	Screw		4010253	1	Bulb, Headlight, 50W
6	5436055-400	1	Pod, Headlight, Upper, Camo Green	22	7081176	1	Cable, Choke
7	-----	1	Asm., Throttle Control, AWD (See Controls - Throttle Asm./Cable Pg. B9, Ref. 5)	23	7542122	4	Nut, Nylok
8	5244581-067	1	Tube, Handlebar, Black	24	4010638	1	Receptacle, Pod Mount, 12V
9	5631517	1	Block, Handlebar, Pegged	25	5433762-070	1	Pod, Headlight, Lower, Black
10	7515189	4	Screw	26	4010821	1	Switch, Ignition, Keyless
11	-----	1	Asm., Master Cylinder (See Controls - RH, Master Cylinder/ Brake Line Pg. B11 for details)		4010822	1	Lever, Ignition Switch
12	5433903	1	Spacer, Switch, LH		7517560	1	Screw
13	4010592	1	Switch, Handlebar, Off/Lo/Hi	27	7517658	1	Screw
14	5433834-070	2	Grip, Handlebar, Black	28	4010298	1	Sensor
15	5432952	1	Plug, Hole	29	5132382	1	Cap, Sensor
16	7517625	1	Screw, Set	30	5433733	1	Nut, Ignition
17	5244969-067	1	Bracket, Pod Mounting, Black	31	7080922	1	Nut, Choke
				32	5812563	1	Pad, Adhesive
				33	7670127	1	Clip
				34	5631516	1	Block, Handlebar
				35	7080138	5	Cable Tie

5/04

*** MILITARY USE ONLY ***
CRANKCASE
SPORTSMAN 6X6 MV A05CL50MA

© 2004 Polaris Sales Inc.



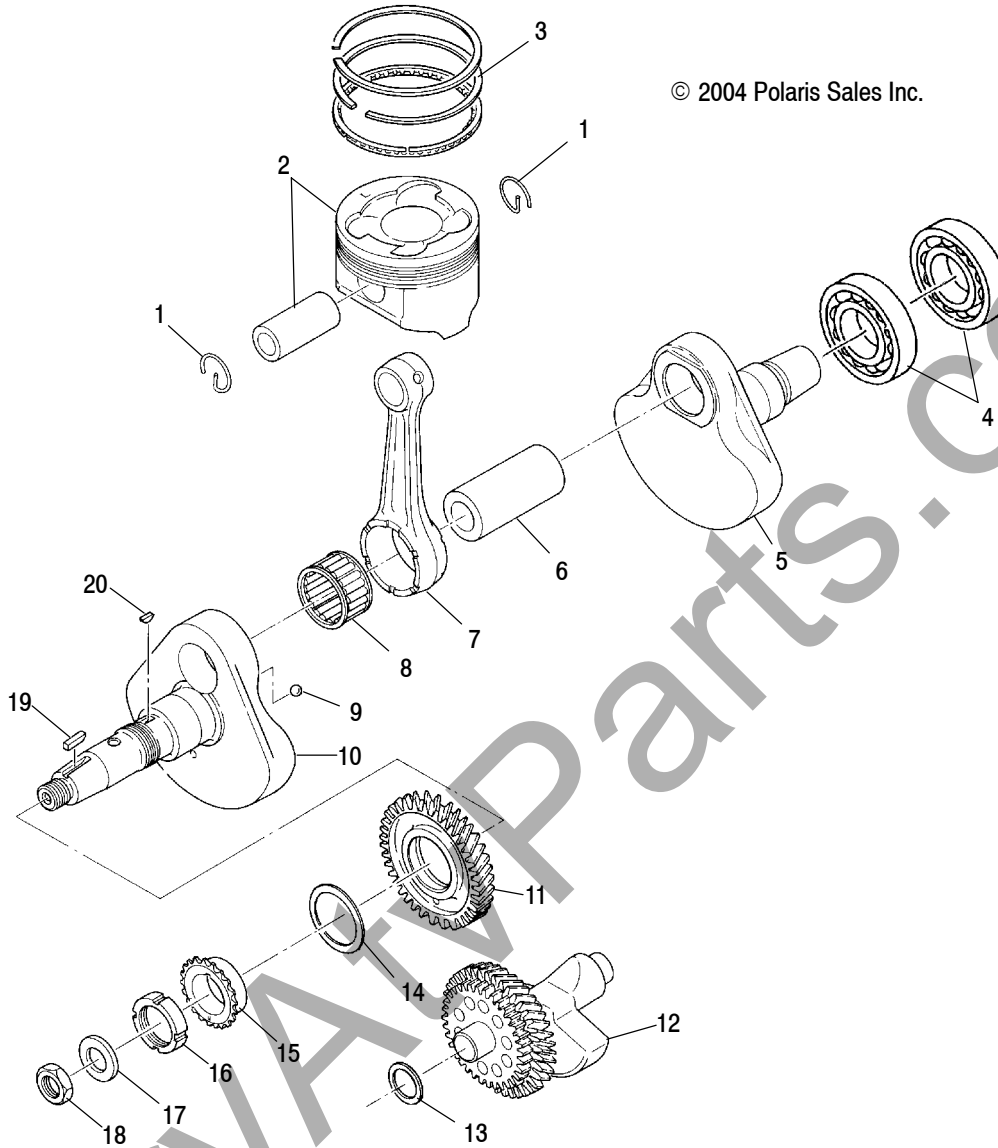
Part numbers may change after the making of the microfiche or paper copies. Electronic records are the most current.

Ref.	Part No.	Qty.	Description
1	3083669	1	Bushing, Starter
2	3089240	1	Asm., Crankcase (Incl. 1,2,4,5,7,8,11,12,17,20,21,23)
3	3087266	2	Pipe, Knock
4	3080676	1	Bearing, Ball
5	3084840	2	Pin, Dowel
6	3084205	3	Asm., Screw and Washer
7	3084839	1	Seal, Oil
8	3085525	1	Pipe, Air Breather
9	3087154	1	Union
10	3084842	1	Union
11	3084834	2	Bearing, Ball

Ref.	Part No.	Qty.	Description
12	3084835	1	Bearing, Ball
13	3084845	1	Plug
14	3084846	1	Gasket, Aluminum
15	3084844	1	Spring, Valve, One Way
16	3086810	1	Valve, One Way
17	3084841	10	Bolt, Flange
18	3082956	1	Gasket
19	3086749	1	Plug
20	3084837	1	Seal, Mechanical
21	3084836	1	Seal, Oil
22	3084847	1	O-Ring
23	3086838	2	Pin, Dowel

*** MILITARY USE ONLY ***
CRANKSHAFT and PISTON
SPORTSMAN 6X6 MV A05CL50MA

© 2004 Polaris Sales Inc.



Part numbers may change after the making of the microfiche or paper copies. Electronic records are the most current.

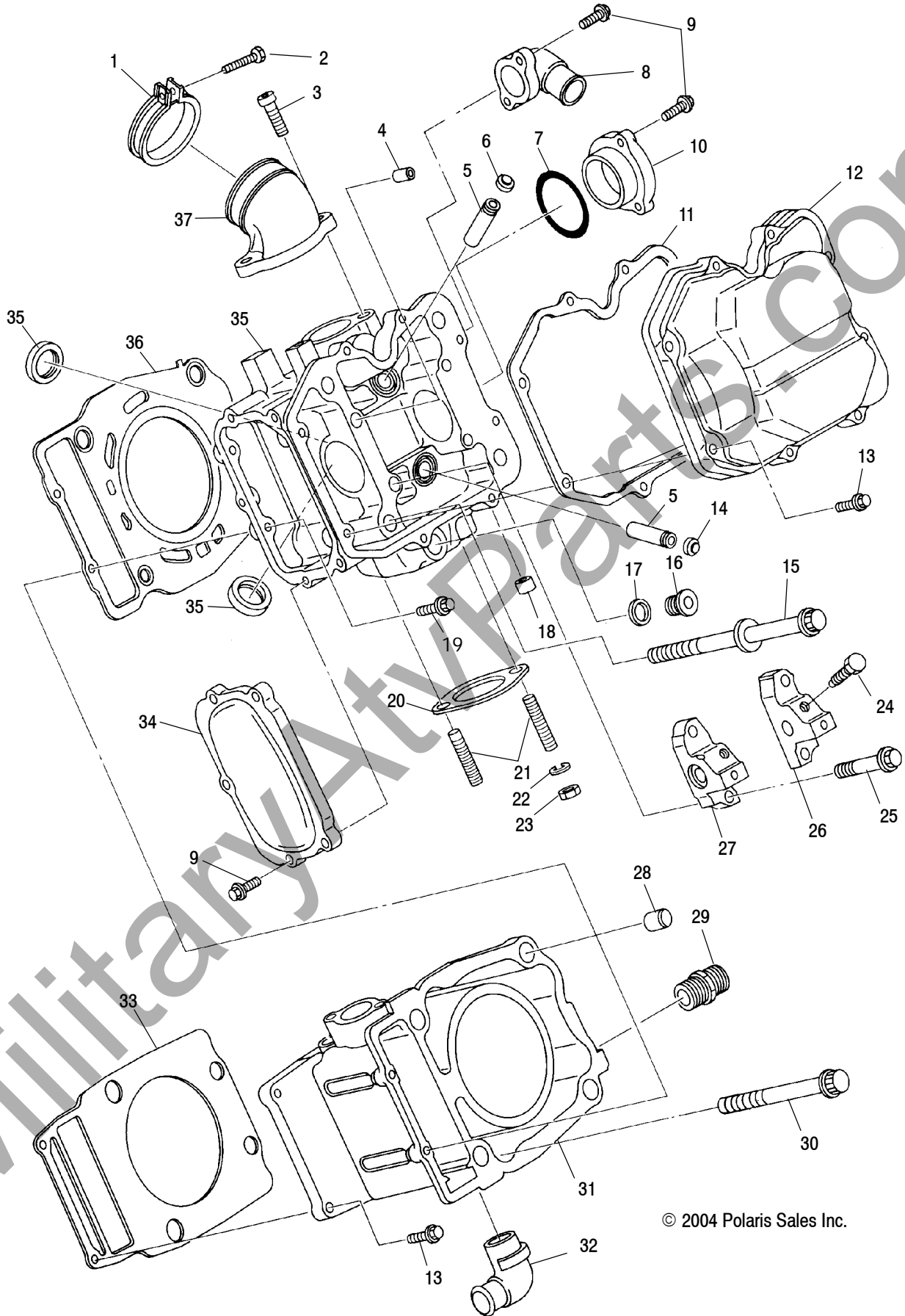
Ref.	Part No.	Qty.	Description
1	3085534	2	Clip
2	3087221	1	Set, Piston, Standard (Incl. 1)
	3087222	1	Set, Piston, .010 Inch/.25MM O/S (Incl. 1)
	3087223	1	Set, Piston, .020 Inch/.50MM O/S (Incl. 1)
3	3087224	1	Set, Piston, Ring, Standard
	3087225	1	Set, Piston, Ring, .010 Inch/.25MM O/S
	3087226	1	Set, Piston, Ring, .020 Inch/.50MM O/S
4	3085815	2	Bearing, Ball
5	3085812	1	Crankshaft 2
6	3087090	1	Pin, Crank
7	3085376	1	Rod, Connecting
8	3085343	1	Bearing, End, Large
9	3085024	1	Ball, Steel
10	3089540	1	Asm., Crankshaft (Incl. 4-11)
	3089541	1	Crankshaft 1

Ref.	Part No.	Qty.	Description
11	3089245	1	Gear 1, Balancer
12	3085404	1	Shaft, Balancer
13	3084895	1	Spacer, 0.8
	3084896	1	Spacer, 1.0
	3084897	1	Spacer, 1.2
14	3240088	1	Spacer, 0.6
	3084892	1	Spacer, 0.8
	3084893	1	Spacer, 1.0
	3084894	1	Spacer, 1.2
15	3084882	1	Sprocket 1
16	3085528	1	Nut, Slit
17	3086767	1	Washer
18	3083905	1	Nut, Lock
19	3081447	1	Key
20	3081543	1	Key, Woodruff

*** MILITARY USE ONLY ***

CYLINDER

SPORTSMAN 6X6 MV A05CL50MA



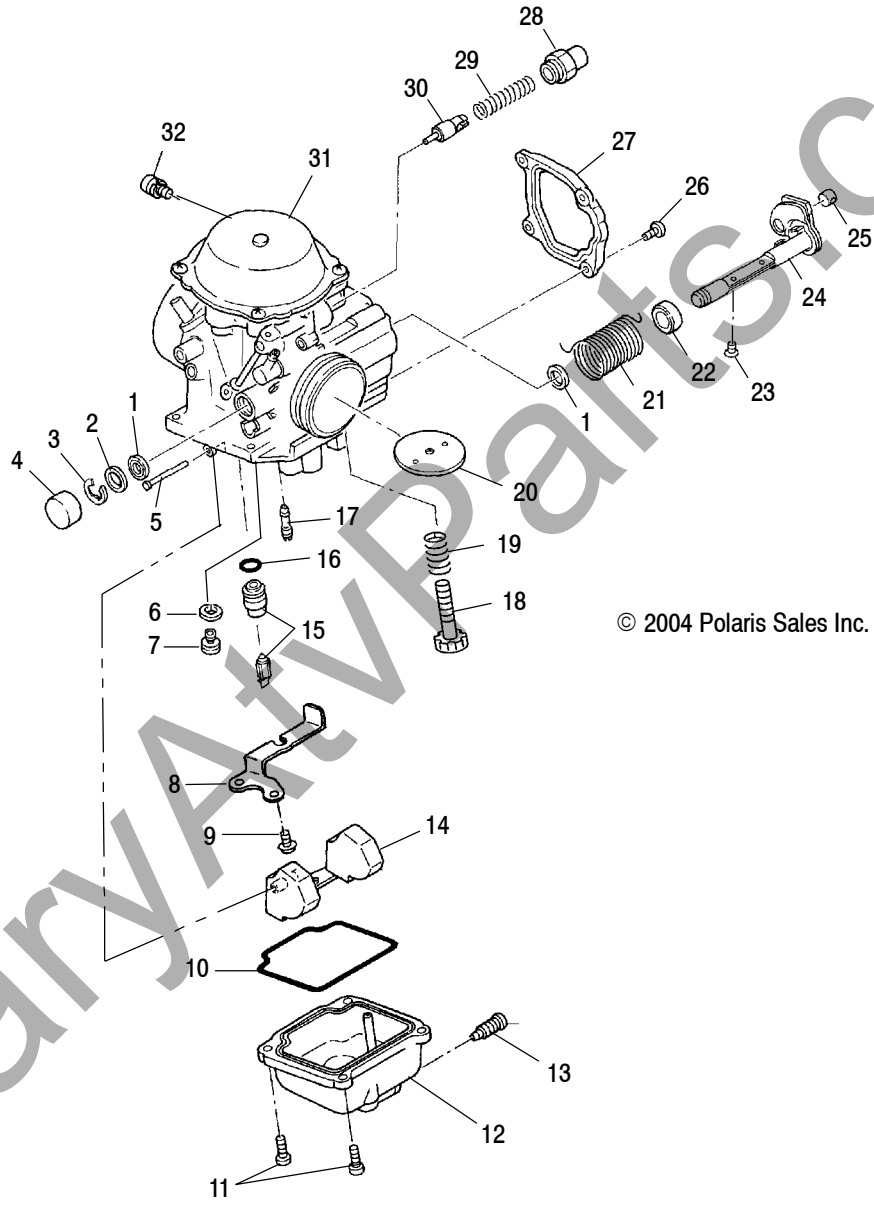
© 2004 Polaris Sales Inc.

CYLINDER
SPORTSMAN 6X6 MV A05CL50MA

Part numbers may change after the making of the microfiche or paper copies. Electronic records are the most current.

Ref.	Part No.	Qty.	Description	Ref.	Part No.	Qty.	Description
1	3083166	1	Asm., Band, Adapter (Incl. 2)	20	3085075	1	Gasket, Exhaust
2	3081497	1	Asm., Screw and Washer	21	3085326	2	Stud
3	3081330	2	Bolt, Socket Head	22	3080530	2	Washer, Spring
4	3084857	2	Pipe, Knock	23	3087199	2	Nut
5	3084994	4	Guide, Valve	24	3085854	1	Bolt, Rocker Shaft
6	3084858	2	Seal, Intake Valve	25	3084876	4	Bolt
7	3084867	1	O-Ring	26	3084864	1	Support, Valve Rocker Shaft (PTO)
8	3084870	1	Adapter, Water Out	27	3084863	1	Support, Valve Rocker Shaft (MAG)
9	3084877	10	Bolt, Flange	28	3087266	2	Pipe, Knock
10	3084866	1	Adapter, Camshaft	29	3084849	1	Union, Oil Pump
11	3085074	1	Gasket, Rocker Cover	30	3084873	4	Bolt, Flange
12	3085073	1	Cover, Rocker	31	3089256	1	Asm., Cylinder (Incl. 32)
13	3084874	10	Bolt, Flange	32	3086747	1	Pipe 2, Elbow
14	3084859	2	Seal, Exhaust Valve	33	3085370	1	Gasket, Cylinder
15	3084875	4	Bolt, Cylinder Head	34	3089242	1	Cover, Camshaft
16	3084860	1	Plug	35	3085527	1	Head, Cylinder (Incl. 4-6,14,16-18,21)
17	3084861	1	Gasket	36	3085371	1	Gasket, Head
18	3084862	1	Plug, Blind	37	3084879	1	Adapter
19	3086781	2	Bolt, Flange				

*** MILITARY USE ONLY ***
CARBURETOR
SPORTSMAN 6X6 MV A05CL50MA



© 2004 Polaris Sales Inc.

*** MILITARY USE ONLY ***
CARBURETOR
SPORTSMAN 6X6 MV A05CL50MA

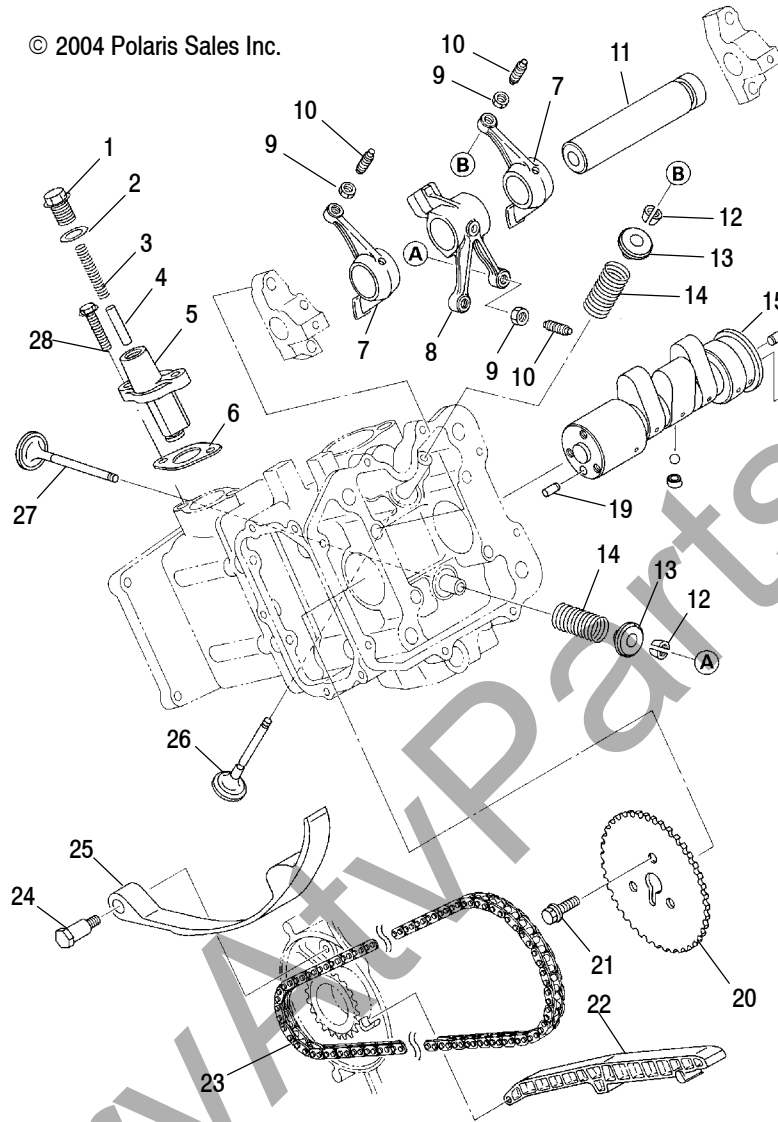
Part numbers may change after the making of the microfiche or paper copies. Electronic records are the most current.

Ref.	Part No.	Qty.	Description	Ref.	Part No.	Qty.	Description
1	3130515	2	Seal	17	3130624	1	Jet, Pilot, #40
2	-----	1	Packing	18	3131423	1	Screw, Adjust
3	3130518	1	E-Ring	19	3130836	1	Spring
4	3130519	1	Cap	20	3130502	1	Valve, Throttle, 100
5	3130361	1	Pin, Float	21	3130589	1	Spring
6	3130014	1	Washer	22	3130514	1	Ring
7	3130566	1	Jet, Main, #142.5	23	3130501	2	Screw
8	3130594	1	Plate	24	3130513	1	Asm., Throttle Shaft
9	3130591	2	Screw	25	3130543	1	Guide, Cable
10	3130532	1	O-Ring	26	3130535	4	Screw
11	3130520	4	Screw	27	3130511	1	Cover
12	3130590	1	Asm., Float Body	28	3130199	1	Holder, Guide
13	3130521	1	Screw	29	3130538	1	Spring
14	3130529	1	Asm., Float	30	3130539	1	Asm., Plunger
15	3131360	1	Valve, Needle, 1.5	31	3131572	1	Asm., Carburetor (Incl. 1-24,26,28-32)
16	3130533	1	O-Ring	32	3084205	2	Asm., Screw and Washer

6/04

*** MILITARY USE ONLY ***
INTAKE and EXHAUST
SPORTSMAN 6X6 MV A05CL50MA

© 2004 Polaris Sales Inc.



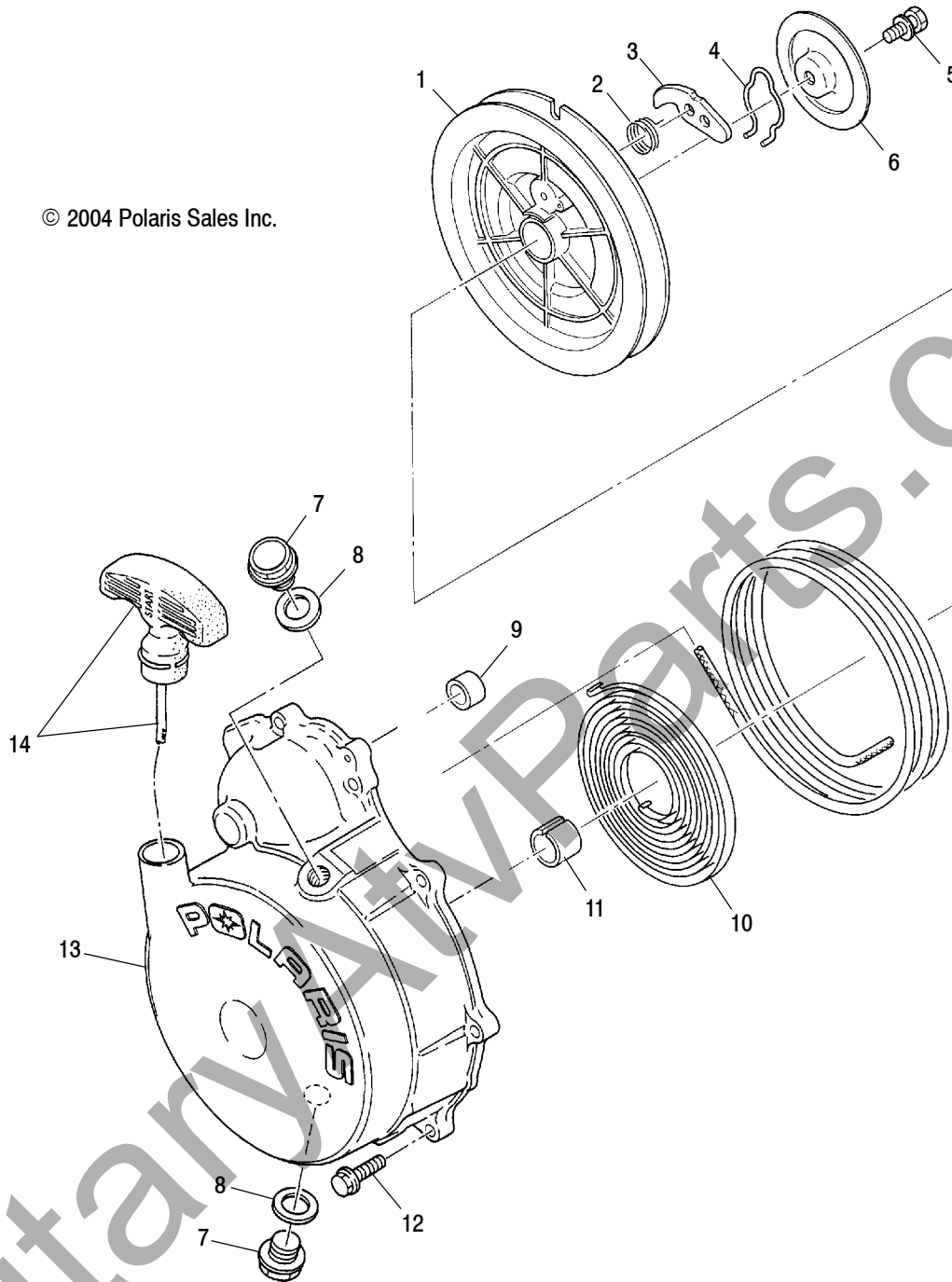
Part numbers may change after the making of the microfiche or paper copies. Electronic records are the most current.

Ref.	Part No.	Qty.	Description
1	3087129	1	Plug
2	3087130	1	Gasket, Plug
3	3087131	1	Spring, Tensioner
4	3087132	1	Pin
5	3086493	1	Asm., Tensioner (Incl. 1-4)
6	3086448	1	Gasket, Tensioner
7	3084910	2	Asm., Rocker Arm, Intake (Incl. 9,10)
8	3084913	1	Asm., Rocker Arm, Exhaust (Incl. 9,10)
9	3084912	4	Nut
10	3084911	4	Screw, Adjusting
11	3084909	1	Shaft, Rocker
12	3084908	8	Collet, Valve
13	3087203	4	Retainer, Valve Spring
14	3086892	4	Spring, Valve

Ref.	Part No.	Qty.	Description
15	3086212	1	Camshaft (Incl. 15-19)
16	3086838	1	Pin, Dowel
17	3085348	1	Lever, Release
18	3085076	1	Spring, Return
19	3084899	1	Pin, Dowel
20	3084914	1	Sprocket 2
21	3081657	3	Asm., Bolt and Washer
22	3084916	1	Guide, Chain
23	3084915	1	Chain, Timing
24	3084924	1	Bolt, Pivot Lever
25	3084917	1	Lever
26	3085349	2	Valve, Intake
27	3085412	2	Valve, Exhaust
28	3083361	2	Bolt, Flange

*** MILITARY USE ONLY ***
RECOIL STARTER
SPORTSMAN 6X6 MV A05CL50MA

© 2004 Polaris Sales Inc.



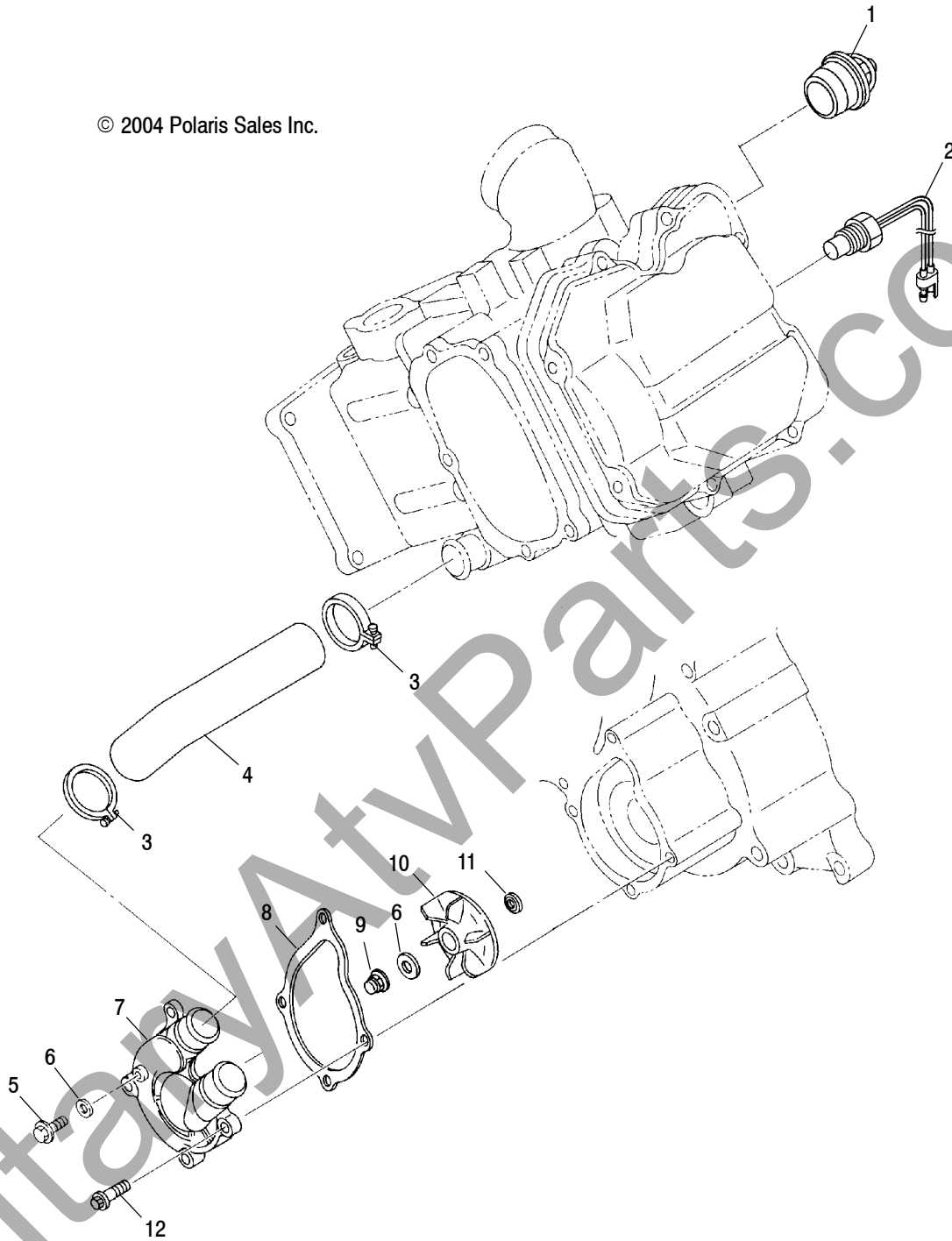
Part numbers may change after the making of the microfiche or paper copies. Electronic records are the most current.

Ref.	Part No.	Qty.	Description
1	3084822	1	Asm., Reel
2	3083463	1	Spring, Return
3	3083378	1	Ratchet
4	3083379	1	Spring, Friction
5	3085266	1	Asm., Bolt and Washer
6	3084744	1	Plate, Friction
7	3086749	2	Plug
8	3082956	2	Gasket

Ref.	Part No.	Qty.	Description
9	3083669	1	Bushing, Starter
10	3083185	1	Spring, Spiral
11	3084750	1	Bushing
12	3084877	9	Bolt, Flange
13	3087163	1	Asm., Recoil (Incl.1-5,9-11,13,14)
	3087164	1	Starter Case (Incl. 11)
14	3085083	1	Asm., Rope

*** MILITARY USE ONLY ***
WATER PUMP
SPORTSMAN 6X6 MV A05CL50MA

© 2004 Polaris Sales Inc.



Part numbers may change after the making of the microfiche or paper copies. Electronic records are the most current.

Ref.	Part No.	Qty.	Description
1	3084940	1	Thermostat
2	3089246	1	Sensor, Thermostat
3	3086774	2	Clamp, Hose
4	3085857	1	Hose, Main
5	3085359	1	Bolt, Flange
6	7555998	2	Gasket, Aluminum

Ref.	Part No.	Qty.	Description
7	3085351	1	Cover, Water Pump
8	3086840	1	Gasket, Water Pump
9	3085077	1	Nut, Self Lock
10	3084935	1	Impeller
11	3084942	1	Washer, Seal
12	3084877	4	Bolt, Flange

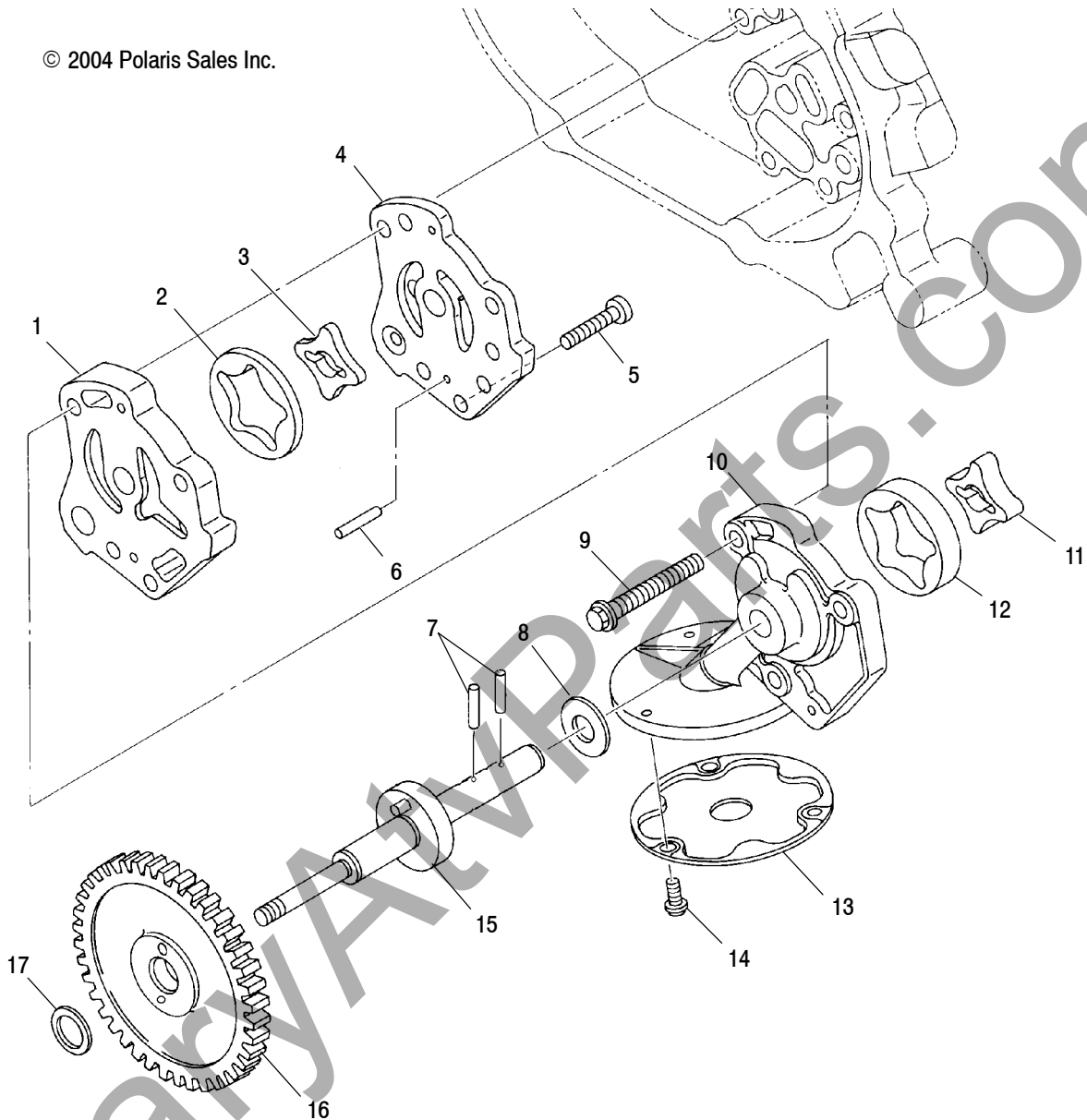
6/04

*** MILITARY USE ONLY ***

OIL PUMP

SPORTSMAN 6X6 MV A05CL50MA

© 2004 Polaris Sales Inc.



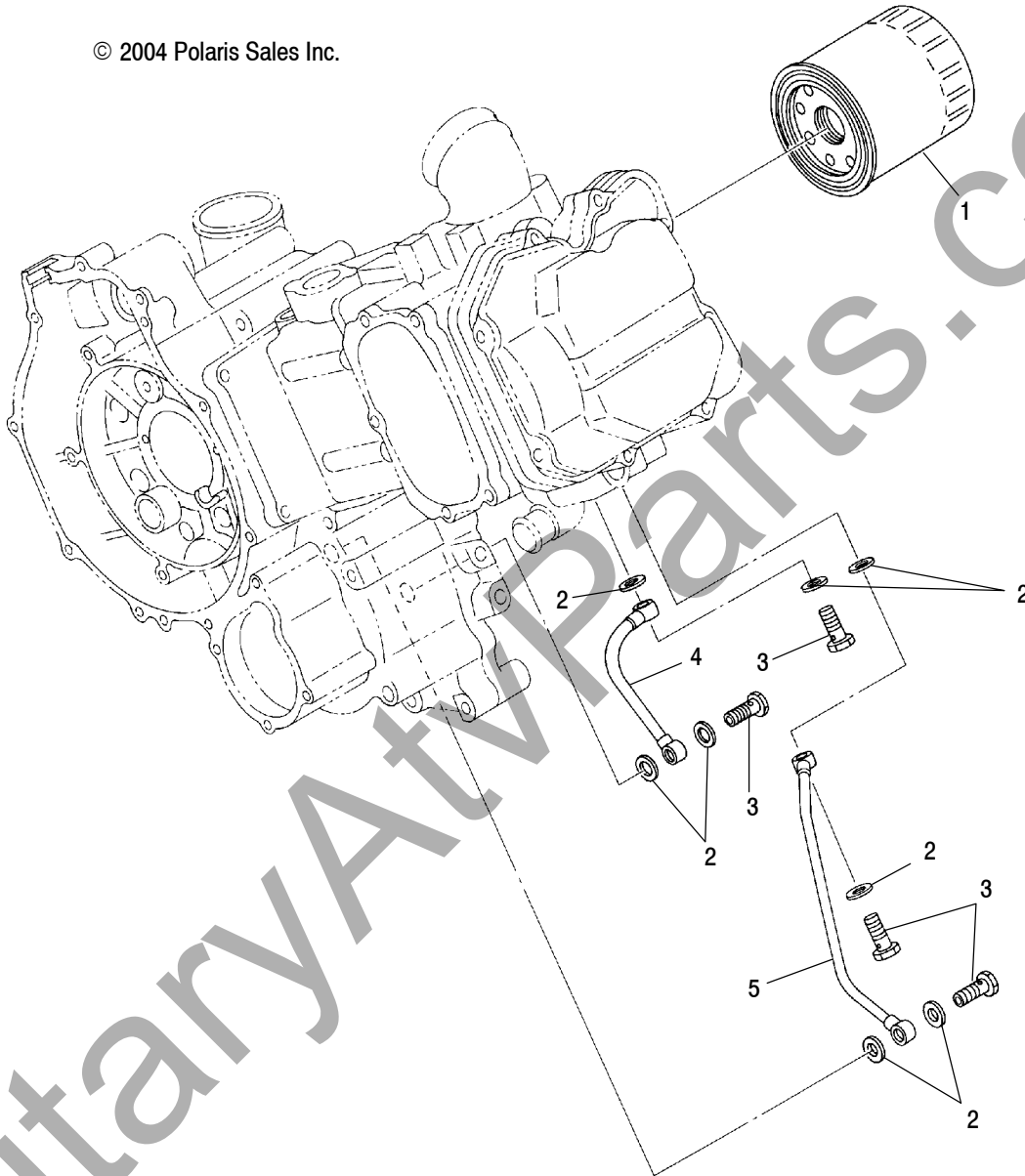
Part numbers may change after the making of the microfiche or paper copies. Electronic records are the most current.

Ref.	Part No.	Qty.	Description
1	3084946	1	Pump, Oil, Case 2
2	3084949	1	Rotor, Outer, Feed
3	3084948	1	Rotor, Inner, Feed
4	3087276 3087264	1	Asm., Oil Pump (Incl. 1-8,10-15) Pump, Oil, Case 1
5	3085535	1	Screw
6	3084955	2	Pin, Dowel
7	3084954	2	Pin, Dowel
8	3084953	1	Washer
9	3084962	3	Asm., Bolt and Washer

Ref.	Part No.	Qty.	Description
10	3087265	1	Pump, Oil, Case 3
11	3084950	1	Rotor, Inner
12	3084951	1	Rotor, Outer
13	3084956	1	Unit, Oil Strainer
14	3084205	3	Asm., Screw and Washer
15	3084952	1	Shaft, Pump
16	3084958	1	Gear 2, Pump
17	3084959	AR	Spacer, 0.8
	3084960	AR	Spacer, 1.0
	3084961	AR	Spacer, 1.2

*** MILITARY USE ONLY ***
OIL FILTER
SPORTSMAN 6X6 MV A05CL50MA

© 2004 Polaris Sales Inc.



Part numbers may change after the making of the microfiche or paper copies. Electronic records are the most current.

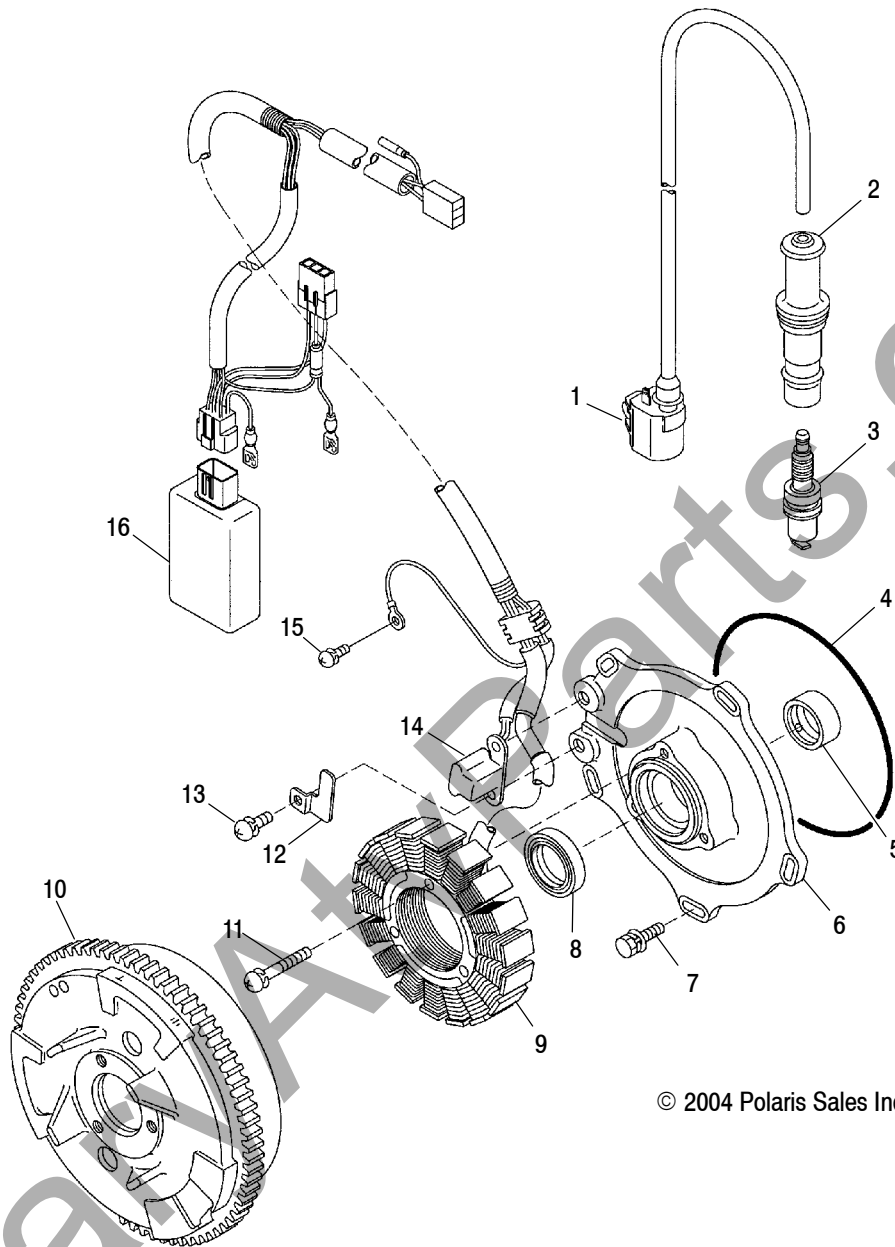
Ref.	Part No.	Qty.	Description
1	3084963	1	Asm., Filter, Oil
2	3084846	8	Gasket, Aluminum
3	3086815	4	Bolt, Banjo

Ref.	Part No.	Qty.	Description
4	3084964	1	Pipe, Oil Delivery 1
5	3084965	1	Pipe, Oil Delivery 2

*** MILITARY USE ONLY ***

MAGNETO

SPORTSMAN 6X6 MV A05CL50MA



© 2004 Polaris Sales Inc.

Part numbers may change after the making of the microfiche or paper copies. Electronic records are the most current.

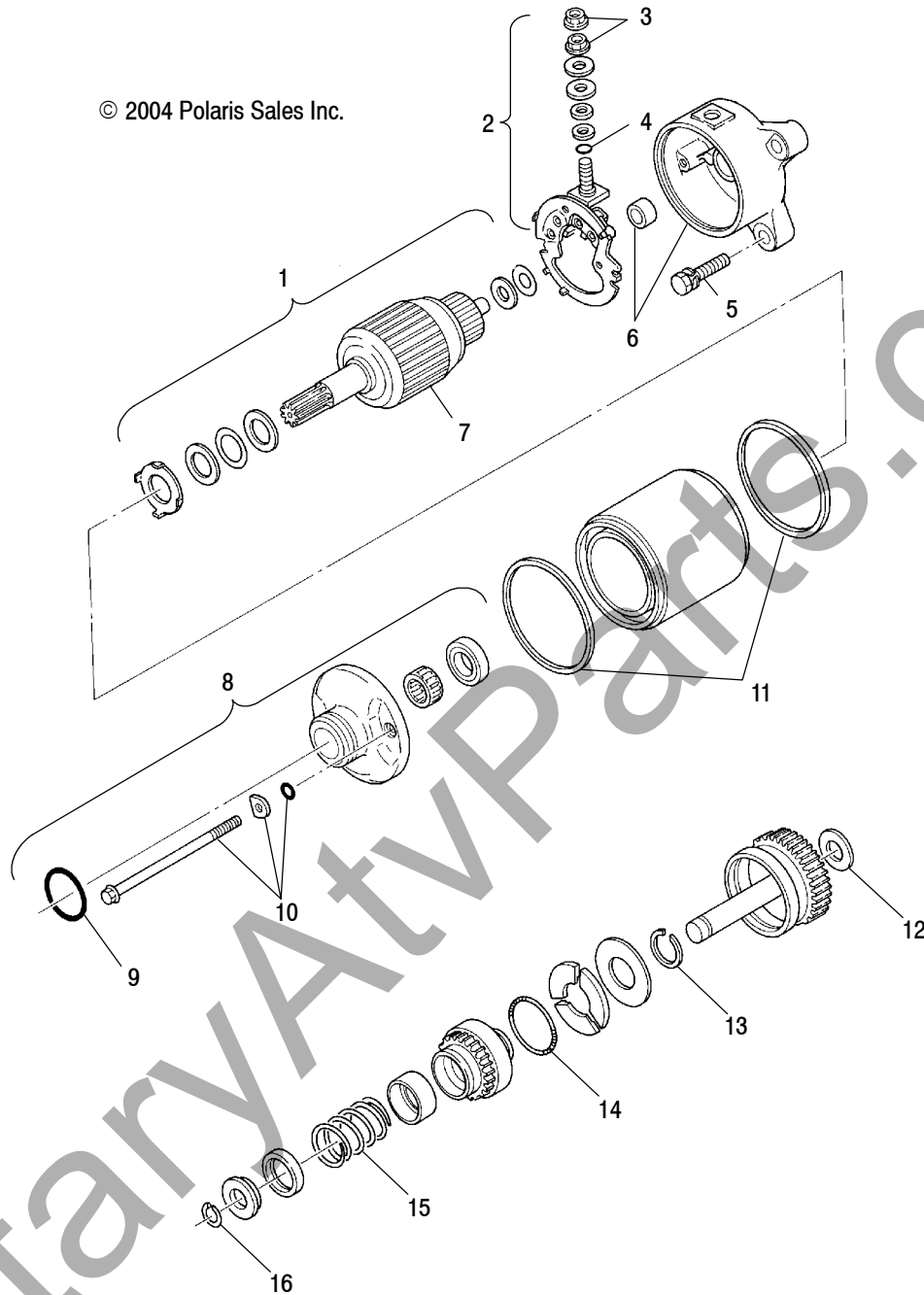
Ref.	Part No.	Qty.	Description
1	3089239	1	Asm., Ignition Coil (Incl. 1,2)
2	3084980	1	Cap, Spark Plug
3	3070175	1	Plug, Spark
4	3084978	1	O-Ring
5	3084972	1	Metal, Bearing
6	3089545	1	Asm., Plate (Incl. 5,6,8,9,11-15)
	3089248	1	Plate
7	3081657	5	Asm., Bolt and Washer
8	3084973	1	Seal, Oil

Ref.	Part No.	Qty.	Description
9	3089546	1	Stator (Incl. 14)
10	3089544	1	Flywheel w/Ring Gear
11	3089547	3	Asm., Screw and Washer
12	3089250	1	Clamp
13	3084976	2	Asm., Screw and Washer
14	3089254	1	Coil, Pulser
15	3081256	1	Asm., Screw and Washer
16	3089238	1	CDI System

6/04

*** MILITARY USE ONLY ***
STARTING MOTOR
SPORTSMAN 6X6 MV A05CL50MA

© 2004 Polaris Sales Inc.



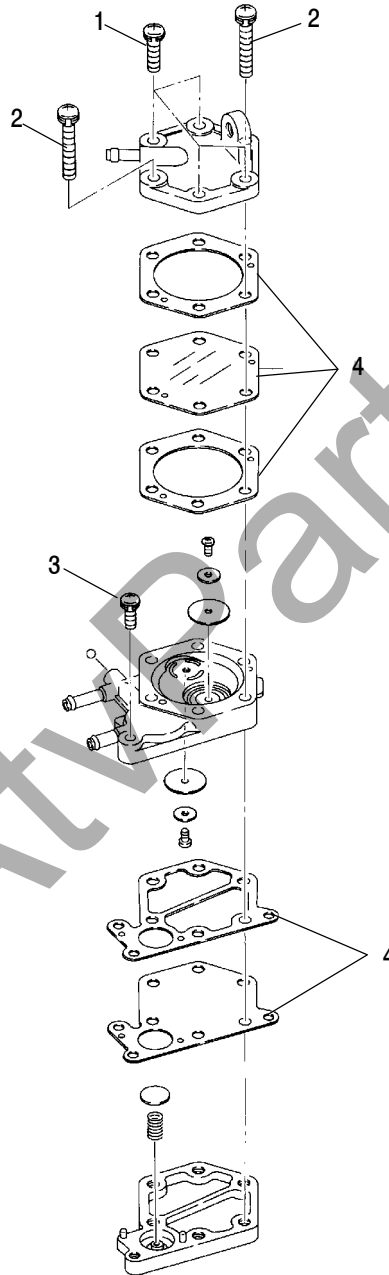
Part numbers may change after the making of the microfiche or paper copies. Electronic records are the most current.

Ref.	Part No.	Qty.	Description
	3084981	1	Asm., Starting Motor (Incl. 1-4,6-11)
	3087030	1	Asm., Gear Shaft (Incl. 13-16)
1	3084982	1	Set, Washer
2	3088169	1	Set, Brush, Carbon
3	3083649	2	Nut, Flange
4	3084408	3	O-Ring
5	3082038	2	Asm., Bolt and Washer
6	3085034	1	Asm., Bracket, Rear
7	3085353	1	Asm., Armature

Ref.	Part No.	Qty.	Description
8	3085033	1	Asm., Bracket, Front (Incl. 9)
9	3240114	1	O-Ring
10	3084983	2	Asm., Bolt Set (Incl. 4)
11	3084405	2	Ring, Rubber
12	7555908	1	Washer, Gear Shaft
13	3084412	1	Clip
14	3084411	1	Spring, Weight
15	3084410	1	Spring, Return
16	3084409	1	Clip

*** MILITARY USE ONLY ***
FUEL PUMP
SPORTSMAN 6X6 MV A05CL50MA

© 2004 Polaris Sales Inc.



Part numbers may change after the making of the microfiche or paper copies. Electronic records are the most current.

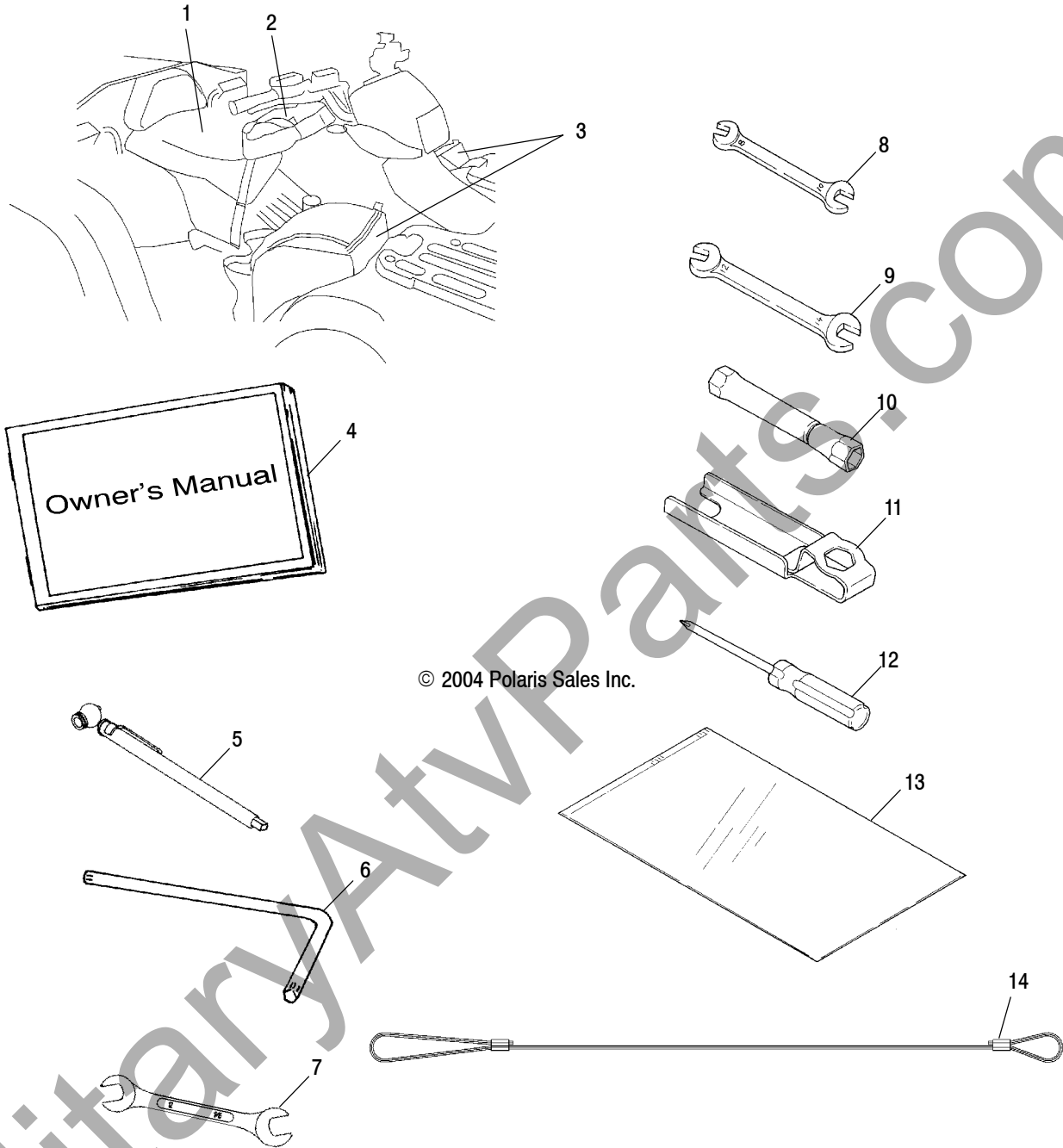
Ref.	Part No.	Qty.	Description
	3085275	1	Asm., Fuel Pump (Incl. All)
1	3084591	4	Asm., Screw and Washer
2	3085356	2	Asm., Screw and Washer

Ref.	Part No.	Qty.	Description
3	3084999	1	Asm., Screw and Washer
4	3088170	1	Set, Gasket, Diaphragm

*** MILITARY USE ONLY ***

TOOL KIT

SPORTSMAN 6X6 MV A05CL50MA



© 2004 Polaris Sales Inc.

Part numbers may change after the making of the microfiche or paper copies. Electronic records are the most current.

Ref.	Part No.	Qty.	Description
	2874925	1	Asm., Tool Kit (Incl. 8-13)
1	2202868	1	Cover, Seat
2	2202860	1	Bag, Gas Tank
3	2202875	2	Bag, Fender
	2683670	1	Cover, Storage
4	9919500	1	Manual, Owner's, '05 Sportsman 6X6
5	2870725	1	Gauge, Tire Pressure
6	2874858	1	Wrench, Torx

Ref.	Part No.	Qty.	Description
7	2874743	1	Wrench, 1/2 x 9/16
8	2874742	1	Wrench, Open, 8-10mm
9	2875090	1	Wrench, Open, 12-14mm
10	2875088	1	Socket, Spark Plug
11	2875091	1	Handle, Spark Plug Socket
12	2874746	1	Screwdriver
13	2682572	1	Pouch, Tool Kit
14	1015007	1	Asm., Steering Lock Cable

*** MILITARY USE ONLY ***

MilitaryAtvParts.com



POLARIS
The Way Out.

PRINTED IN THE USA

PARTS MANUAL PN 9919953 and MICROFICHE PN 9919954 8/04

Order Online at www.worldofpowersports.com